

User's and installer's Manual

Sine wave Inverter, Battery charger, Transfersystem

Betriebs- und Montageanleitung

Kombigerät mit Sinuswechselrichter Batterielader, Transferschaltung

Manuel d'utilisation et de montage

Onduleur, Chargeur de batterie, Système de transfert

COMPACT - C 1600-12

COMPACT - C 2600-24

COMPACT - C 4000-48

Temperature sensor, Temperatursonde, Sonde de temperature **CT-35**

Remote control, Fernsteuerung, Télécommande **RCC-01**

Solar charge regulator, Solarladeregler, Régulateur solaire **Cxxxx-S**

Remote control, Fernsteuerung, Télécommande - Power sharing **RPS-01**

AC cable cover, Kabeleinführung, Capot câble AC **CFC-01**

IP-22 top cover, Abdeckung, Capot **C-IP22**



STUDER INNOTECH SA
Rue des Casernes 57
CH – 1950 Sion
409



TEL : ++41 (0)27 205 60 80
FAX : ++41 (0)27 205 60 88
E-MAIL : info@studer-innotec.com

English description	5	
1	General information	5
1.1	Operating instructions	5
1.2	Quality and Warranty	5
1.3	Warranty disclaimer	5
1.4	Liability disclaimer.....	6
1.5	Warning	6
1.6	Special precautions.....	6
2	Introduction	7
2.1	Principle schematic.....	7
2.2	Description of the main functions.....	8
2.3	Battery connecting	9
3	Mounting and installing	10
3.1	Installation place	10
3.2	Fixing	10
3.3	Connections.....	11
3.4	Connection plan.....	12
3.5	Cabling.....	13
3.6	Pre-installation settings.....	13
4	Control	15
4.1	Display and control parameters	15
4.2	Light emitting diodes (LED).....	15
4.3	Push buttons.....	16
4.4	Turning knobs.....	17
4.5	The inverter.....	17
4.6	The battery charger.....	18
4.7	The transfer system	20
4.8	The solar charge controller (option)	22
4.9	The multifunctional contact	22
4.10	The remote control RCC-01	22
4.11	The temperature sensor CT-35.....	23
4.12	Remote control for "Power Sharing" RPS-01	23
5	Programming	24
5.1	Standard setting.....	24
5.2	Reset value (default settings)	24
5.3	Battery voltages and absorption time.....	24
5.4	Auxiliary contact.....	25
5.5	Disabling some of the COMPACT functions	27
6	Maintenance	28
7	EU declaration of conformity	28
8	Technical Data	29

Deutsche Beschreibung	30
1 Allgemeine Informationen	30
1.1 Zu dieser Bedienungsanleitung	30
1.2 Qualität und Garantie	30
1.3 Garantiausschluss	30
1.4 Haftungsausschluss	31
1.5 Warnungen	31
1.6 Besondere Schutzmassnahmen	32
2 Einführung	32
2.1 Prinzip Schema	33
2.2 Beschreibung der Hauptfunktionen	33
2.3 Batterie Verschaltungen	34
3 Montage und Installation	36
3.1 Ort der Montage	36
3.2 Befestigung	36
3.3 Anschluss	36
3.4 Anschlussplan / Frontseite	37
3.5 Verdrahtung	38
3.6 Voreinstellungen	38
4 Bedienung	40
4.1 Anzeigen und Bedienelemente	40
4.2 Leuchtdioden (LED)	41
4.3 Tasten	42
4.4 Drehknöpfe	42
4.5 Der Wechselrichter	42
4.6 Der Batterielader	43
4.7 Der Umschaltautomat (Transferschalter)	46
4.8 Der Solarladeregler (Option)	48
4.9 Der Multifunktionskontakt	48
4.10 Die Fernsteuerung RCC-01	49
4.11 Die Temperatursonde CT-35	49
4.12 Fernsteuerung für die autom. Leistungsaufteilung "Power Sharing" RPS-01 ..	50
5 Programmierung	50
5.1 Standardeinstellungen	50
5.2 Zurücksetzen der Programmierung (Standardeinstellung)	51
5.3 Batteriespannungen und Absorptionsdauer	51
5.4 Hilfskontakt	52
5.5 Sperren von Funktionen	54
6 Wartung	55
7 EU-Konformitätserklärung	55
8 Technische Daten	56

Instructions en français.....	57
1 Informations générales	57
1.1 Manuel d'utilisation	57
1.2 Qualité et garantie.....	57
1.3 Exclusion de garantie.....	57
1.4 Exclusion de la responsabilité.....	58
1.5 Avertissements	58
1.6 Mesures de protection particulière.....	59
2 Introduction	60
2.1 Schéma de principe	60
2.2 Description des fonctions principales.....	60
2.3 Câblage de la batterie.....	61
3 Montage et installation	63
3.1 Lieu de montage	63
3.2 Fixation	63
3.3 Raccordements.....	63
3.4 Coffret de raccordement	64
3.5 Câblage	65
3.6 Préparation au câblage.....	65
4 Commande	67
4.1 Affichage et éléments de commande.....	67
4.2 Indicateurs lumineux (LED).....	68
4.3 Touches	69
4.4 Bouton de réglage rotatif.....	69
4.5 L'onduleur	69
4.6 Le Chargeur de batterie	70
4.7 Le relais de transfert	73
4.8 Le régulateur de charge solaire (option)	75
4.9 Le contact auxiliaire multifonction	75
4.10 La télécommande RCC-01	76
4.11 La sonde de température CT-35.....	76
4.12 La télécommande du répartiteur de courant à distance RPS-01	77
5 Programmation	77
5.1 Valeurs de programmation standard.....	77
5.2 Retour aux valeurs d'usine	77
5.3 Tensions de batterie et temps d'absorption	78
5.4 Contact auxiliaire	79
5.5 Verrouillage des modes de fonctionnement.....	81
6 Entretien de l'installation	82
7 Déclaration UE de conformité.....	82
8 Données techniques.....	83

English description

1 General information

1.1 Operating instructions

This manual is part of the delivery package of every COMPACT inverter/charger. It serves as guidelines for safe and efficient operation of COMPACT. The instructions are only valid for use with the following devices and options:

COMPACT C 1600-12

COMPACT C 2600-24

COMPACT C 4000-48

Temperature sensor CT-35

AC cable cover CFC-01

Remote control RCC-01

IP22 cover C-IP22

Power sharing remote control RPS-01

Solar charge controller CxxxxS

Every person who installs a COMPACT and/or works with it must be fully familiar with the content of this manual and must follow exactly all the warning and safety instructions. Installation of or any work on the COMPACT must be carried out by a skilled and trained personnel. Installation and application must comply with the respective local installations codes and safety regulations.

1.2 Quality and Warranty

During production and assembling, all COMPACT appliances go through many controls and tests. Production, controls and tests are carried out in accordance with firm and established procedures. Every COMPACT has its own serial number, which helps to refer back to its original data in the event of controls or repairs. That is why you should never remove the identification plate showing the serial number. The production assembly and tests on all COMPACT appliances are totally carried out in our company in Sion, Switzerland. The warranty for these appliances is valid for uses and operating possibilities mentioned in this manual.

The warranty period for the COMPACT is 5 years.

1.3 Warranty disclaimer

We do not accept any liability for any damages occurring through use, manipulation, working situation and handling, which are not explicitly mentioned in these operating instructions.

Following cases are not covered by the warranty:

- High voltage at INPUT (i.e. 48V at the Battery INPUT of COMPACT 1600-12)
- Reverse polarity on Battery connections (+/- reversed)
- Running liquid or oxidation through condensation in the appliance
- Defects caused by force, physical or mechanical means
- Changes not explicitly authorized by STUDER INNOTEK
- Not or only partly tightened screws and nuts after change of fuses or cables connecting
- Transport damage, i.e. through bad handling and /or packing
- Damage from atmospheric over voltage (lightning)

1.4 Liability disclaimer

Respecting this manual, servicing and method of installation, functioning, application and maintenance of the appliance cannot be controlled or supervised by STUDER INNOTEK. Hence we do not accept any liability and responsibility for damages, losses and costs which result through the use of this appliance or which result through incorrect installation, incorrect operation or wrong application and maintenance, or which by some other means maybe connected to each other.

The use of STUDER INNOTEK's inverters does exclusively involve the user's liability.

This device is not designed for applications involving health care and medical treatments where the patient life is concerned and where any mishap may be lethal.

Similarly, we do not accept any liability for any violation of the patents rights or violation of any third party's rights resulting from the use of this appliance

STUDER INNOTEK reserves the right to modify the technical data or these operating instructions without any prior notice.

1.5 Warning

This manual must be readily available for the user at any time. The user must be familiar with the precautions and safety aspects in the country of installation.

During operation of COMPACT, high voltages are generated at the connections and inside of the appliance which could be lethal. Work on the appliance and on the installation should only be carried out by skilled and trained people.

The whole installation connected with the COMPACT must comply with the rules and codes in force.

People without the written authorization from STUDER INNOTEK are strictly forbidden to carry out any change or repair on the appliances. For authorized changes only original parts are to be used.

The COMPACT may only be used when it has been installed in accordance with these instructions and all parts have been correctly assembled and installed.

The COMPACT may only be connected to lead-acid or lead-gel batteries.

Caution: Even when a COMPACT has been disconnected from all connections, at the OUTPUT point there could still be deadly voltages present. To remove these voltages you must switch on the COMPACT ON with the ON/OFF switch. After one minute, the electronics are discharged and any work can now be safely carried out.

The COMPACT is only suitable for internal use and under no circumstances should it be subjected to snow, rain, or any other wet conditions.

By installations in motorized vehicles the COMPACT must be protected from water-spray and any other wet conditions.

Caution: In normal use lead-acid and lead-gel batteries give out explosive gases. Never smoke or allow a spark or flame in the vicinity of batteries. The batteries must always be stored or placed in a well-ventilated room, they should be placed in such a way that there is no danger of short-circuit through carelessness. Never charge frozen batteries.

1.6 Special precautions

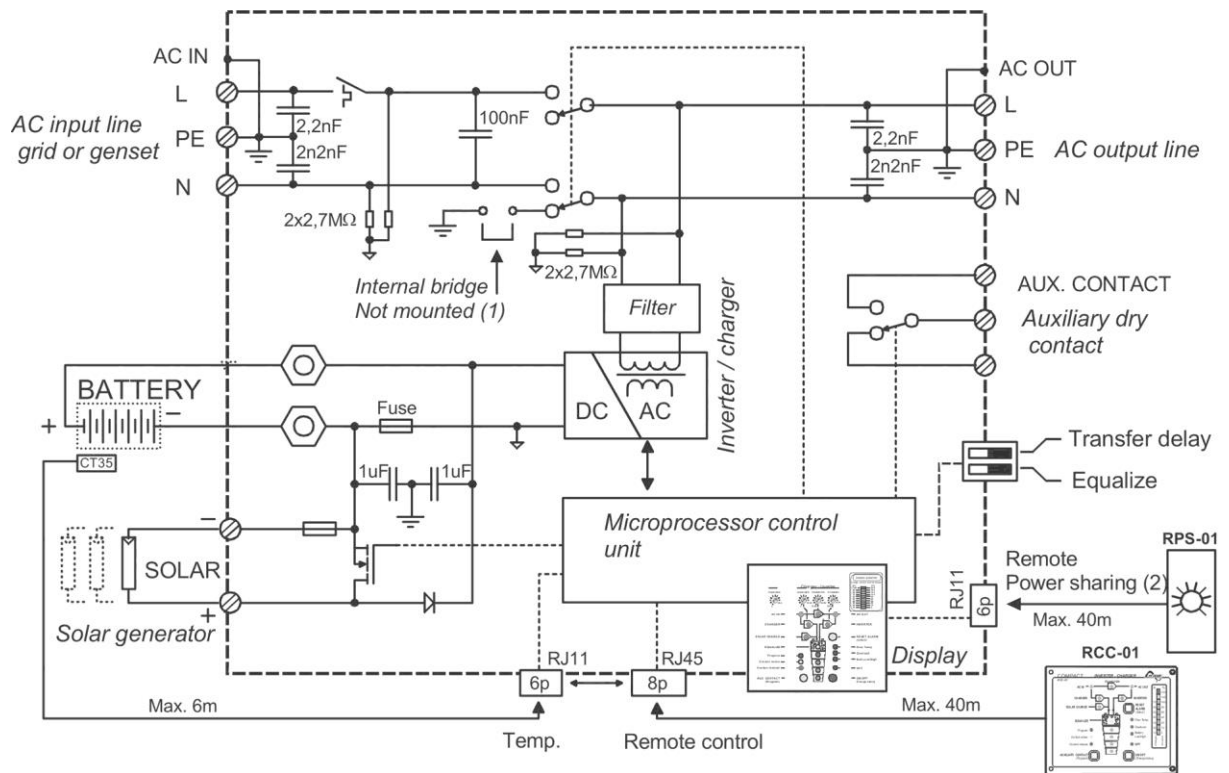
- While working on batteries there should always be a second person close to you or within your voice range, in case help is needed.
- Plenty of fresh water and soap must be ready at hand so that in case of acid coming in contact with skin, eyes and clothes, the areas in question can be thoroughly washed.

- If acid enters the eyes, you must thoroughly wash them with cold running water for at least 15 minutes. It is recommended that you immediately consult a medical doctor.
- Baking powder neutralizes battery acid electrolyte. Always keep some at hand.
- Special care must be taken when working with metal tools near or on the batteries. With tools such as screwdrivers, spanners etc. short-circuits can result. Sparks produced by the short circuit can cause an explosion.
- When working on batteries all personal metal items such as rings, necklaces and bracelets must be removed. Batteries are so powerful that short-circuit with these items can melt them and thus cause severe burns. Always follow the battery manufacturer instructions.
- Under certain conditions COMPACT or a connected generator can start automatically. While working on an electrical installation you must ensure that these appliances are disconnected beforehand from the installation.

2 Introduction

The COMPACT is a sine wave inverter with integrated battery charger with many additional functions, it has been developed to be used as stand-alone (no grid-feeding) AC provider, or as continuous / break-free current supply provider (UPS).

2.1 Principle schematic



Notes:

(1) **The neutral of the appliance is not connected to the earth** whatever the function mode is. If requested and according to the local regulation, an automatic connection between Neutral and earth in inverter mode only may be done by installing a bridge internally to the unit. Please contact your installer regarding this point.

(2) Remote control for remote adjustment of the input limit. (see chap. 4.6.3)

2.2 Description of the main functions

2.2.1 *The inverter*

The sine wave inverter COMPACT generates a sinusoidal AC voltage with an exceptionally precise voltage and stabilized frequency. In order to start large electric motors, the user has the possibility to use a short surge power which is 3 times the nominal power of the COMPACT.

The inverter is protected against overload and short circuit. A power stage with the latest MOSFET power transistors, a toroidal transformer, and a fast regulating system makes a robust and reliable inverter with the highest efficiency. A 1-20 Watt adjustable charge detection system allows the smallest energy consumption and ensures a long life for the battery.

2.2.2 *The transfer system*

COMPACT can be connected to an AC source. For example a stand-by emergency generator or the AC network. With the transfer system, on one side you have an alternating voltage at the output for the use of consumer appliances. On the other side the battery bank is being charged. The distribution of energy between the consumer appliances and battery charger is automatic.

2.2.3 *The battery charger*

The built-in battery charger is so designed that it can charge the battery quickly and fully. A microprocessor controlled, Step charging process, ensures the optimal charging of the battery. The desired charging current can be set continuously from 0 to 50/55 A, as per the model. The setting is made accordingly to the battery capacity and power available.

The battery charger is designed for lead-acid and lead-gel batteries. Thanks to the floating charge system the batteries can remain continuously connected.

2.2.4 *The solar charge controller (optional)*

With the built-in solar charge controller, the COMPACT is a complete solar-power-center. In a solar installation this controller ensures that the batteries are charged correctly. With the COMPACT, batteries can be charged with a generator and with the solar modules at the same time. The charging of batteries with both energy sources is carried out fully automatically.

2.2.5 *The remote control*

As an option, a remote control RCC-01 can be connected to COMPACT. All operating features and displays, save the adjustment levels (22/23/24/26), are available on the re-mote control. It is supplied with a 20m long cable. This cable can be up to 40m long. On the remote control, output power and charging current are also displayed.

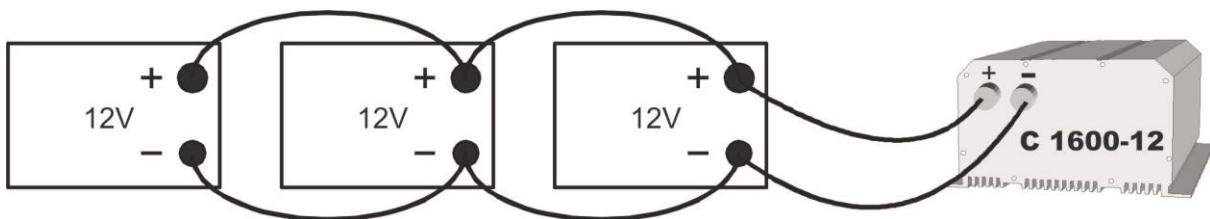
2.2.6 Remote control for Power Sharing

This remote control RPS-01 can be connected to the COMPACT in the dedicated plug. The maximum current available from the energy source can be adjusted by the turning button.

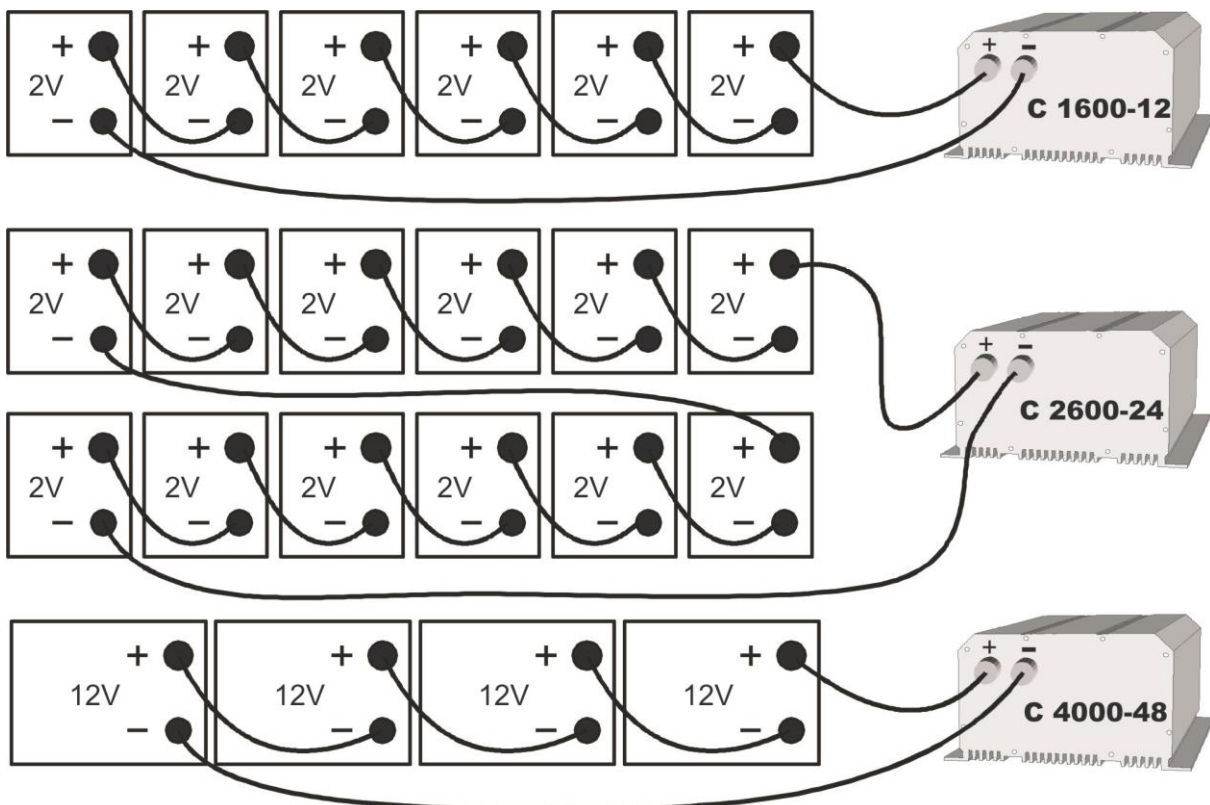
2.3 Battery connecting

Lead-acid batteries are normally available in blocks of 2V, 6V or 12V. In most cases, to generate the necessary operating voltage and the capacity of the batteries for the COMPACT many batteries have to be connected together in parallel and or in series. Here are 3 examples of connection:

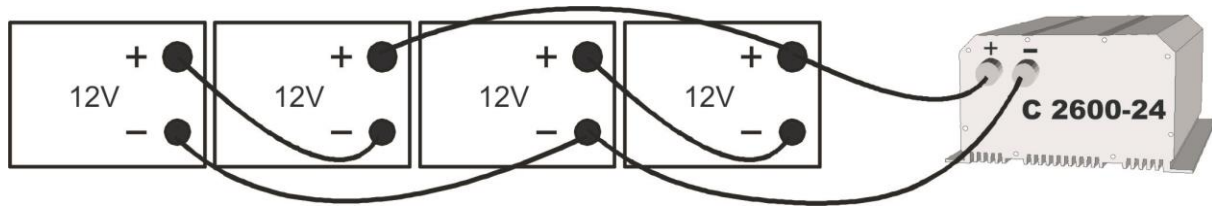
2.3.1 Connection in parallel



2.3.2 Serial connection



2.3.3 Serial and parallel connection



3 Mounting and installing

3.1 Installation place

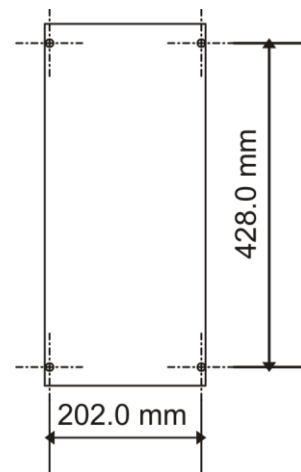
The location of the COMPACT must be driven by the following criteria:

- Protection from unauthorized handling
- Dry dust free room, no condensation
- Never install directly over the battery and never in a cabinet together with the batteries
- Keep ventilation holes free
- In mobile installations it is important to keep the vibrations down as low as possible

3.2 Fixing

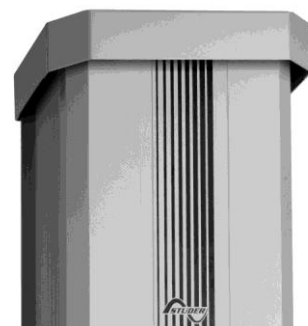
3.2.1 Fixing the COMPACT

Basically the COMPACT can be installed in any desired location. Preferred is that the appliance be wall mounted with battery cables downwards. The COMPACT must be fixed directly on a flat, surface, with four screws through the four holes (diameter 5.5mm) which are accessible from the outside. In motor vehicles, the COMPACT must be fixed on a flat plate itself fixed on vibrations reducing elements. The COMPACT must not be fixed on a combustible base, as the back of the casing can get hot and reach up to 80 degree Celsius.



3.2.2 Protection cover IP-22

This cover IP22 (Order ref. CIP-22) can easily be installed after the fixation of the COMPACT. To add the cover, slightly loosen the two fixing screws at the base of the device and loosen a bit more the two fixing screws at the top of the COMPACT. Then slide the IP 22 cover between the COMPACT and the wall until it touches the screws. Completely tighten all screws. The installation of the protection cover is completed.



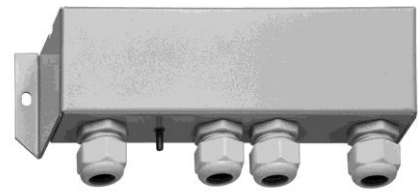
3.3 Connections

3.3.1 General connection instructions

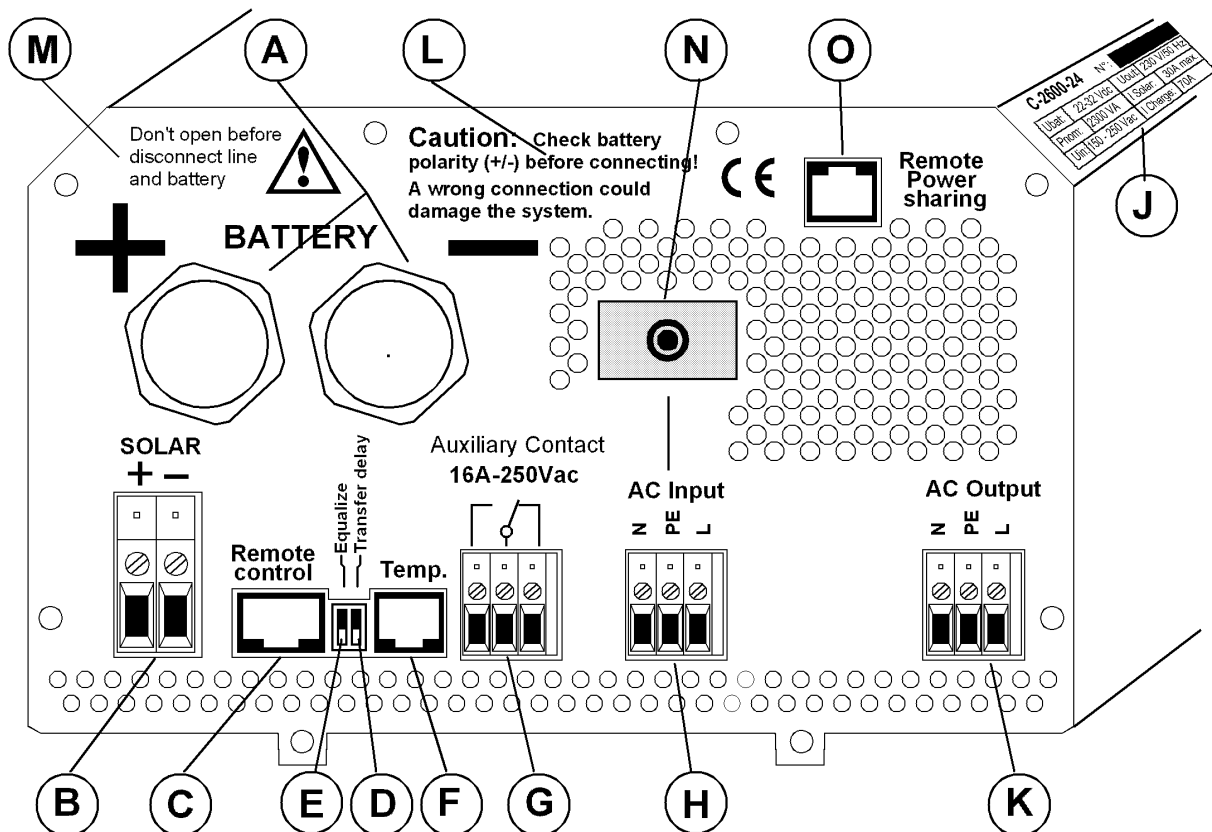
- The cable connection on the terminals AC INPUT / AC OUTPUT / 16A 230VAC are carried out with a screwdriver Nr.1 and the connection on the SOLAR terminal with a screwdriver Nr.2.
- The conductor cross section on the terminals AC INPUT / AC OUTPUT / 16A 230VAC of the connecting cable must be minimum 2.5mm².
- All connecting cables and also the mounted battery cables, must be fixed with strain relief clamps.
- The COMPACT is delivered with battery cables already connected.
- The battery cables must never be extended. If the extension is unavoidable then the conductor cross section must be elevated accordingly.
- To protect the battery cable, a fuse corresponding to the conductor cross section must be fixed directly on to the battery.
- All cables must be tightly screwed in place. For safety, a yearly control is recommended. In mobile installations control must be carried out more often.
- Connecting must be done by qualified personnel. Material such as cable, connectors and distribution boxes, fuses etc. used in the installation must comply with the respective valid low-voltage installation rules and regulations.

3.3.2 Protection cover of the terminals connections

The protection is available as an option (Order ref. CFC-01) to avoid doing accidental and hazardous contact on the terminals 230Vac if the unit is mounted in a non-restricted area. It mounted with strain relief clamps for the cable.



3.4 Connection plan



- | | | |
|---|----------------------|---|
| A | Battery +/- | Battery cable (already installed) |
| B | SOLAR +/- | Connection terminal for Solar modules |
| C | Remote contr. | Connection terminal for Remote Control RCC-01 |
| D | Delayed transfer | Slide switch to delay the opening of the transfer switch |
| E | Equalize | Slide switch for equalization of the Battery |
| F | Temp. | Connection terminal for Temperature sensor CT-35 |
| G | Aux. Contact | Connection terminal for Auxiliary Contact |
| H | AC Input | Connection terminal for AC-input. Located directly above this terminal is the automatic safety cut-out for this terminal. |
| J | ID Plate | Identification plate with Technical data and Serial number |
| K | AC Output | Connection terminal for AC-output |
| L | Caution... | Caution: Check Polarity (+/-) before connecting the battery! |
| M | Don't... | Do not open without disconnecting all terminals |
| N | 16A Protection | 16A Protection switch for the Transfer system |
| O | Remote Power Sharing | Input current repartition |

3.5 Cabling

Connecting the COMPACT is a very important step of the installation. You must take care that all connection work is carried out in a clean and correct way and that under no circumstance a cable is connected to a wrong terminal.

Connecting of the COMPACT must be carried out in the following order. **In case of dismantling this order must be reversed.**

3.6 Pre-installation settings

Before you start with the cabling of the COMPACT you must set the type of battery. In case sealed-gel batteries are used then you must set the small slide-switch "Equalize" which is on the front with the connection terminals, in OFF position. In case of "normal" lead-acid – batteries, these can handle a higher equalizing charge, the same slide switch can be set in ON position. In case of doubt leave the setting in OFF position.

This will allow an equalizing cycle (higher end of charge voltage) during the next charge process. Since then equalizing will occur every 25 usual cycles.

3.6.1 Connection to battery

Get the batteries ready for connection: Matching battery terminals, matching fuse on a clamp. Prepare battery cables, if necessary press on cable tabs/shoes. Connect red cable on Plus (+)-Pole and the black cable on the Minus (-) Pole. On connecting the second cable to the battery pole a spark is produced, because for a short time high current flows in the COMPACT to charge the capacitors. For this reason follow strictly the safety measures described in this manual. Check if the red LED OFF (13) is lit. If it is not lit, press shortly on the switch ON/OFF (19), now OFF should be lit.

On connecting the battery the COMPACT needs 1 – 2 Minutes to calculate the actual capacity of the battery. During this time the battery condition is shown as 100% charged. (LED 14 – 17 lit).

If the LED 12 Battery Low/High is lit, the battery charge is too low. If the LED 12 Battery Low/High is blinking, the battery charge is too high.

Caution: With a wrong battery voltage the COMPACT can be destroyed. (for example: connecting a C 1600-12 to a 48V-Battery).

Nevertheless, if the COMPACT had been connected with reverse polarity, it is highly probable that the fuse inside the casing is defect. Before opening the casing cover all terminals must be disconnected including the battery. If the COMPACT does not function after the changing of the fuse and correcting of the polarity, it means that it is defect and must be sent for repair.

3.6.2 Connection to the 230Vac-consumer appliances (AC OUTPUT)

The 230V consumer appliances must be connected to the terminals AC OUTPUT with cables which cross section has to follow the local rules in force (usually 2.5mm²). Connections are marked as follows "N" Neutral, "PE" Earth (connected to the appliance case), "L" Live.

Caution: High voltages can be there. Make sure that the COMPACT is turned off (LED 13 lighting) before the connection.

3.6.3 Connection to the 230Vac Input (AC INPUT)

The 230V-supply from network or from a generator must be connected to the input terminals AC INPUT with cables which cross section depends on the power source (usually 2.5mm²). Connections are marked as follows: "N" Neutral, "PE" Earth (connected to the appliance case), "L" Live.

3.6.4 *Connect the solar modules: SOLAR +/- (Only for solar option)*

Solar modules are connected on these terminals. Under no circumstances should any other energy source i.e. wind generator be connected to these terminals! Only solar modules must be connected with two cables +/- . Depending on the power of the modules, the cable cross section should be 2.5 up to 6mm². Before connecting it is necessary to check with a Voltmeter that the voltage of the Module meets the following values:

C 1600-12 17-25V/30A, C 2600-24 34 – 45V/30A,C 4000-48 68 – 90V/20A.

NOTE: Since the solar charge controller integrated in the Compact is of PWM type, it is necessary to use 36 or 72 cell PV modules (12V or 24V respectively). All other types of PV modules require an MPPT charge controller (i.e VarioTrack or VarioString).

3.6.5 *Connection to auxiliary contact*

This contact is a potential free change over contact the currents and voltages allowed for this contact are max. 16A/250Vac. The LED 5 "Contact active" shows the position of them: alight mind active and off mind non-active. The schematic view of the connections on the front, show the relay in the non-active mode.

3.6.6 *Connection to remote control*

The remote control RCC-01 is connected in the terminal marked "Remote control" with a 20m long cable and a RJ11/8 connector. The remote control can be plugged IN or plugged OUT during any operation situation. Push in the connector softly until you hear the "click" showing that the connector is locked. The same applies to the plug in the remote control.

The length of the cable for remote control should not exceed 40m. We deliver it with 20m cable.

3.6.7 *Connection to temperature sensor (Temp.)*

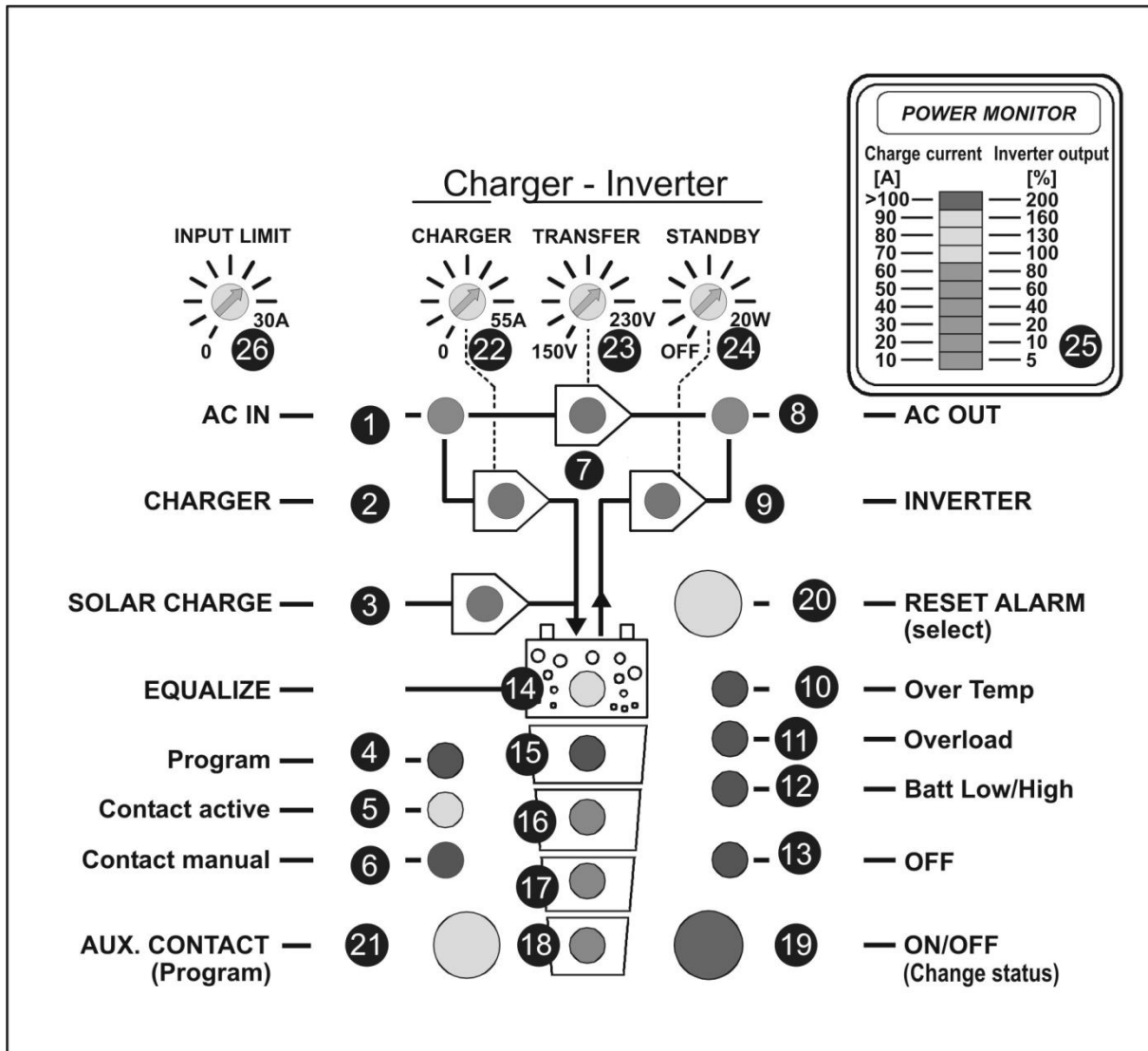
The temperature sensor CT-35 is connected in the terminal marked "Temp" with a 3m long cable and a RJ11/6 connector. The temperature sensor can be plugged IN or plugged OUT during any operating situation. Push in the connector softly until you hear the "click" showing that the connector is locked. The temperature sensor must be glued to the wall of the battery or near it. **The temperature sensor cable must not be tied together with the battery cables or laid in a rope/bundle.**

3.6.8 *Connection to the remote control for the "Power Sharing" (RPS-01)*

This remote control is connected with a 20m long cable to a RJ11/6 plug. It can be connected and disconnected at any time. Push in the connector softly until you hear the "click" showing that the connector is locked.

4 Control

4.1 Display and control parameters



4.2 Light emitting diodes (LED)

LED	Marking	LED lit	LED blinks
1	AC IN	Voltage corresponding to self-adjusted values is at the AC IN input.	A voltage outside the self-adjusted values is at the AC IN input, or the COMPACT is in synchronization phases
2	CHARGER	Battery charger is working	The battery charger is locked OFF (see chap. 4.6) or provisory out of order. In that last case it will restart within 10 seconds
3	SOLAR CHARGE	Connected solar modules are delivering energy	

4	Program	Program mode for Aux. contact	
5	Contact active	Auxiliary contact is activated	
6	Contact manual	Aux. cont. manually activated	
7	TRANSFER	Transfer system is active. In-coming voltage is being sent directly to AC OUT outlet	Transfer (bypass) is disabled (see chap. 4.7)
8	AC OUT	There is a voltage at the AC OUT outlet	The inverter is in standby-mode
9	INVERTER	Inverter is working	Forced inverter mode (see chap. 4.5)
10	Over Temp.	For the time being the COMPACT is out of service because of overheating.	
11	Overload	The COMPACT is out of service because of overload or short-circuit	
12	Batt. Low/High	Battery voltage is too low	Battery voltage is or was too high
13	OFF	COMPACT is turned off. Turning it back on is only possible manually.	COMPACT is for the time being turned off. Turning it back on will follow automatically!
14	EQUALIZE	Battery equalizing is set	
15–18		State of charge of the battery	LED 15 – Absorption time is running
25	POWER MONITOR	Display the value of the output power in % of P _{nom} (in inverter mode) and the charge current in Amps (in charger mode). In this mode the red LED indicates that power sharing is in use (>100A).	

4.3 Push buttons

19	ON/OFF	Turning the COMPACT on and off (Help button for programming)
20	RESET	Alarm signal off (Help button for programming)
21	Aux. contact	Control aux. contact (Help button for programming)

4.4 Turning knobs

22	CHARGER	Adjustment for max. charging current
23	TRANSFER	Adjustment for transfer voltage threshold (TRANSFER – INVERTER)
24	STANDBY	Adjustment for "Standby" system
26	INPUT LIMIT	Must be adjusted to the maximal available current of your AC INPUT supply

4.5 The inverter

An inverter is built in the COMPACT, which generates a sinusoidal alternating voltage of a very high quality. With this inverter any 230 Vac alternating voltage appliance up to the nominal power of your COMPACT can be operated. Thanks to the generous dimensioning of the COMPACT, you can operate appliances requiring higher power than the nominal power of the COMPACT for a short time. The COMPACT provides up to 3-times the nominal power to start motors.

The inverter mode is displayed through LED 9 (Inverter). If the inverter mode is disabled (see chap. 5.5) LED 9 will blink. If the LED 9 is lit, the inverter is in operation and you have 230 Vac at the output AC OUT. The actual power of the connected appliance is displayed on the power monitor 25 and on the Remote Control.

4.5.1 Charge detection system "Standby"

In order to avoid unnecessary discharge of the battery, the inverter switches OFF automatically if no appliance is connected and switches ON automatically again if appliance is connected. The LED 8 blinks if the inverter is in standby-mode. The switching-on/starting level can be adjusted with the turning knob 24 "STANDBY". Adjusting the switching-on level is as follows: Switch off all consuming devices, turn the turning knob 24 to the right until the LED 8 is blinking, switch on the smallest consuming device (i.e. mobile phone charger), turn the turning knob **slowly** to the left until LED 8 is lit.

If the standby-mode is not wanted, turn the turning knob 24 to the left, to the OFF position.

4.5.2 Overload

If the Inverter is too long or too heavily overloaded, it switches off. The LED 11 "Overload" is lit and LED 13 "OFF" blinks. After ca. 10 seconds the Inverter switches on automatically. If the Inverter is overloaded four times one after another in a short time, then it no longer switches on automatically. The LED 13 remains lit. Press the push button 19 "ON/OFF" in order to switch on the Inverter.

4.5.3 Overheating (Over temp.)

If the inverter has been overloaded for a long time or it has been working in too high surrounding temperatures, it will switch off. The LED 10 "Over Temp." is lit and the LED 13 "OFF" blinks. After cooling down, the inverter switches back on automatically. One minute before the inverter switches off for too high temperature it gives out an acoustic alarm signal. If the auxiliary contact has been programmed to detect the high temperature then it synchronizes the relay with the alarm signal. In this way, for example, an emergency back- up system can be started without any break in the energy supply.

4.5.4 Battery condition

Deep discharge of the lead-acid batteries leads to high losses in capacity and early aging. That is why the battery condition is continuously controlled and supervised. With low voltage the inverter switches off. The LED 12 "L/H Batt." is lit and the LED 13 "OFF" blinks. When the battery voltage gets up to 12.1V / 24.2V / 48.4V, the inverter switches on automatically. One minute before the inverter switches off due to low voltage it gives out an acoustic alarm signal. If the auxiliary contact has been programmed to detect the low voltage then it synchronizes the aux. contact with the alarm signal. In this way, for example, an emergency backup system can be started without any break in the energy supply.

The low voltage is set to 11.6V / 23.2V / 46.4V. These settings are standard for most batteries. These voltage levels are maintained by the built-in battery-management-system of the COMPACT by matching the load and the battery condition.

This setting is comparable with the levels of 10.8V/ 21.6V / 43.2 which are given for most batteries at nominal load.

All voltage levels can be programmed. See the instructions under the section on programming. Check with your battery supplier which voltage values should be set.

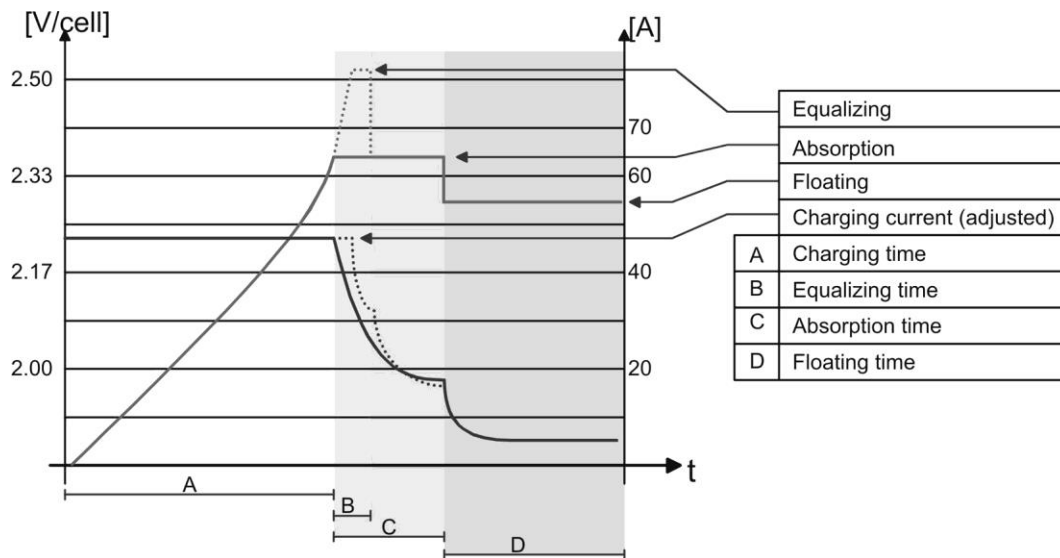
4.6 The battery charger

4.6.1 Cycle of charge

The full automatic COMPACT battery charger is adjusted at the factory so that most lead-acid and lead-gel batteries can be charged to the maximum. As soon as the minimum alternating voltage for the AC IN set on the turning knob 23 is available at the input (LED 1 AC IN is lit), the battery charger is switched on automatically (LED 2 CHARGER is lit). The battery is fully automatically charged matching to the charge level, the adjusted volt-age levels and the charge current. Thanks to the built-in float charge system, the batteries can be left connected for unlimited time with the battery charger switched on.

During the charging phase the appliances at the outlet AC OUT are continually supplied with power (LED 8 AC OUT is lit).

The charger functions are shown in the following diagram:



4.6.2 Default values for battery voltage thresholds

Low voltage			Float charge			Absorption			Equalization			Absorption time	Equalization time
12V	24V	48V	12V	24V	48V	12V	24V	48V	12V	24V	48V	12/24/48V	12/24/48V
11.6	23.2	46.4	13.5	27.0	54.0	14.4	28.8	57.6	15.6	31.2	62.4	2h	20'

These values can be modified by mean of the optional remote control

4.6.3 Equalization charging

Before you program the COMPACT for Equalization-charge you must check with your supplier that the batteries are suitable for this process.

Equalization is recommended for the lead-acid batteries in order to mix well the electrolyte fluid and to clean the lead plates.

If the COMPACT is operating with a lead-acid battery, which is suitable for equalization, the slide switch "Equalize" which is on the cable connection side, must be placed in the ON position. In this setting, every 25 charge cycles an equalization is carried out for 20 minutes (factory setting). During such a charge cycle the LED 14 is lit and during equalizing it is blinking. Charge cycle with equalization can be started independently from the actual program. For this purpose the slide switch must be slid from "OFF" to the "ON" position. The LED 14 will light up. If the periodic equalization is not required, slide switch must be slid back to the "OFF" position after the completion of the manual cycle.

The equalizing voltage can be changed. How to proceed is explained in chap. 5.3.

Batteries not designed for equalize should never been charged this way.

CAUTION: During the equalization process, the batteries produce a lot more gas. DANGER OF AN EXPLOSION!! The battery room must be well ventilated.

Equalization mode should never be used when using gel-batteries.

4.6.4 Input current repartition (Power sharing)

To manage the power available on the AC INPUT (depends on the supply use) the COMPACT is equipped with a system usually called "Power sharing" or INPUT power distribution. With this function it is possible to limit the AC INPUT current assigned to the charger. The more current it uses on the OUTPUT the less it gives to the charger. Priority to the OUTPUT. When the power sharing is used the LED 200% (red) is lit to point out that the charge is limited.

Caution: if the power use on the OUTPUT is higher than the value of the INPUT LIMIT (26) the COMPACT cannot limit the current, then the generator means to stop or the circuit breaker means to break before.

4.6.5 Set the INPUT LIMIT (26)

The current available for the COMPACT depends on the supply used from a motor generator, the network of a camping or of a shore connection. The value of the turning knobs INPUT LIMIT (26) must be adjusted lower or equal to the current available from the source.

For example if you have a generator of 2kW you must adjust the turning knobs 26 to a max. 8.5A. To calculate this, one divides the nominal power (2000W) by the voltage (230V). If you have a circuit breaker (i.e. 6A) before the COMPACT, then you set this value on the turning knobs (26) (i.e. 6A).

Generator power	Current (230V)
500W	2A
900W	4A
1500W	6.5A
2000W	8.5A
3000W	13A

This adjustment can be done remotely with the optional RPS-01 (see section 3.6.7). In that case the smallest values will be taken into account.

4.6.6 Charging current

The maximum charging current for the battery can be adjusted with the turning knob 22 (CHARGER). The charging current of the battery should be set to approximately 10 – 20% of the battery capacity (at C10). This means that the charging current for a battery with 300Ah should be set between 30 – 60A.

The charging current is displayed on POWER MONITOR (25) of the front panel or on the remote control.

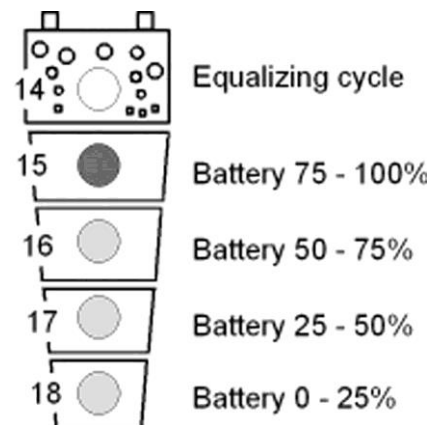
4.6.7 Battery condition

Built-in microprocessor with a specially developed algorithm calculates the actual state of charge of the battery and displays it on LED 15 – 18. The LED 14 is lit when the system is carrying out a charge cycle with equalization.

Notice: the exact measure of the battery state of charge with electrical parameters is al-most impossible. The display of the state of charge is always more or less precise. The measure system built in the COMPACT takes into account the battery voltage, the discharge and charge current as well as the undulation of the voltage. If the battery and the COMPACT are used according to their technical data, the battery state of charge is displayed accurately. In the following cases of use the display can diverge:

- Battery charge or discharge with too high currents
- Battery cable cross section too small
- Battery connections badly tightened or corroded
- Charge of the battery with external battery charger
- Discharge of the battery with users not connected to the COMPACT
- Work with defective or sulphated batteries

This means that the display can, within few minutes during the charge, commute from 25% to 75% or during the discharge, to the opposite direction.



As many of the working cases mentioned above often occur, the measure system of the COMPACT takes into account, during the charge, only the peaks of the voltage undulation. As a consequence, the battery voltage at the start of the absorption stage, measured by a voltmeter will appear deeper. By decrease of the charge current the voltage will reach the exact values.

For safety reasons, you must get the recommended charge voltage and charge currents from your battery supplier. The voltage levels and charge characteristics can be changed through programming. The instruction for programming of battery charger is in the section "Programming" (Chap. 5.3). The correct charging is mandatory for a safe function and a long-life of the battery.

The battery charger functions are described by the graphic in chap. 4.6.1.

4.7 The transfer system

When an AC voltage is at the input AC IN of the COMPACT, the LED 1 AC IN is lit. When this voltage matches the lowest adjusted value set by the Turning Knob 23 TRANSFER, and the frequency is between 44Hz and 65Hz, this voltage is switched directly to the battery charger and to the output AC OUT. The LED 7 TRANSFER is

lit. The inverter is switched off and the battery charger switched on. This process is automatic, unless the charger mode or the transfer mode is disabled (see chap. 5.5).

The maximum current of the transfer switch is 16A. That means through this system, consuming devices up to a maximum of 3700 Watt can be operated. When the battery charger is working, part of this power is used for charging according to the power sharing system.

The transfer system is protected against overload with a circuit breaker on the AC Input side of the COMPACT. If the system has been overloaded, the button/pin of the fuse will pop out. To put the automatic safety system back in to operating you must push this pin back.

Note: in the inverter operation, The COMPACT generates a true sinusoidal and quartz stabilized output voltage. However if the COMPACT is supplied from a grid or a generator and the transfer contact is active, then you have at the output AC OUT the same voltage as that at the input. This voltage cannot be modified by the COMPACT !

4.7.1 Set the transfer voltage threshold

The voltage threshold of the transfer can be adjusted between 150 to 230V with the turning knobs (23). From factory this value is 200V. Most appliances can work on this voltage. When the input voltages reach the selected value on turning knob, the inverter switches off and the AC INPUT goes directly on the AC OUTPUT. When the voltage INPUT is less of 20V the value set, the transfer is stopped and the OUTPUT switches back on the inverter.

Note : Don't use the turning knobs "TRANSFER" (23) to adjust the AC OUTPUT voltage ! This is only it's only a voltage threshold level to enable or disable the transfer.

4.7.2 Fast (UPS)- mode for the transfer switch

The quick and break free transfer mode is programmed with a slide switch "transfer delay" OFF, which is on the front side (cable connections side).

The aim of the COMPACT is to supply the appliance with a break-free alternating voltage. When the incoming voltage AC IN no longer matches values which have been set with the turning knob 23, the inverter switches on at once. The transfer is carried out in 0.02 seconds. This quick transfer ensures a break-free function for most appliances. If you have an alternating voltage back at the input AC IN, transfer system starts up again with-out any break, and the inverter is stopped.

4.7.3 Delayed mode of the transfer system

The delayed mode of the transfer system is programmed with the slide switch (D) on front plate under the battery connection.

The COMPACT provides a break-free alternating voltage for the appliance. A quick transfer switch is not always sensitive nor is it always desired. For example, when the appliances are operated by a small back-up generator. An overload of a short period on such a generator, i.e. start of a vacuum cleaner etc., has the effect of decreasing the voltage for a short time. As in such cases the transfer to the Inverter is not desired, the transfer system can be programmed with a delay. When the slide switch "Transfer delay" (D) is in the "On" position, the transfer to the inverter takes place with a delay of 5 seconds. If the voltage falls below 100Vac, the transfer takes place without delay! The transfer switching to the Inverter takes place without any break.

4.8 The solar charge controller (option)

The COMPACT also has a solar charge controller built in. For charging the batteries, solar modules can be connected to the screw terminal SOLAR +/- . The in-built controller is a "shunt controller" for the maximum input current of 30A for C 1600-12 and C 2600-24 and 20A for C 4000-48. The operating voltage of solar panels to be connected must match the actual operating voltage of the COMPACT and never exceeds the max. rated value.

Under no circumstances should any other systems such as wind-generator be connected at the input of the solar charge controller.

The solar charge controller works automatically and is always in operation. As soon as the energy is delivered from the solar charge controller, LED 3 "SOLAR CHARGE" is lit and the batteries are being charged. The solar charge controller works even when the battery charger is functioning. The way of working is the principally the same as that of the battery charger. The function is described in the section on battery charger. The programming and the adjustments are carried out in accordance with the same conditions. Check with your battery supplier which adjustments must be carried out for your battery.

4.9 The multifunctional contact

In the COMPACT there is a built-in programmable power relay. The potential-free change-over contact (NO – NC) of this power relay is connected to the screw terminal AUX CONTACT.

**Maximum contact load: 230Vac / 12Vdc / 24Vdc / 16A !
> 36Vdc / 3A !**

With the push button 21 "AUXILIARY CONTACT" the contact can be manually switched on or off independently from programming and from the operating situation. The LED 5 "Contact active" shows the status of the contact. The drawing up the screw terminal "AUX CONTACT" is the inactive position mode, LED 5 "Contact active" off.

The switching on and off, of this contact can be freely programmed for every operating situation of the COMPACT witch situation is indicated with a LED. There is no limitation to its application and it is left to your wishes as to where and how you would like to use it. The example and the setting of this contact are explained in chapter 5.4.

In factory we program this for a dysfunction alarm. The contact is active when one of these situations is detected:

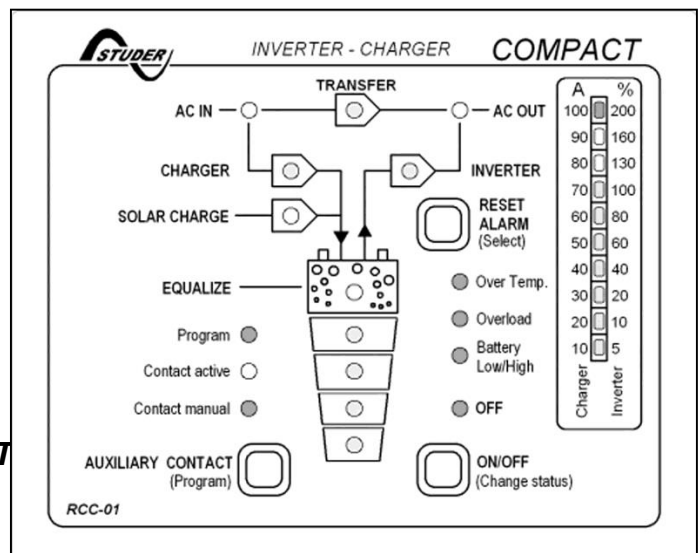
- Over temperature (LED 10 lit)
- Overload (LED 11 lit)
- Over or less voltage of batteries (LED 12 lit or blinking)
- COMPACT is turned off manually or with a fault (LED 13 lit)

In case this function is not wished, it must be modified by programming according to procedure in chap. 5.4.

4.10 The remote control RCC-01

As an option, a remote control can be connected to the COMPACT. All operating controls and displays except from level adjustment are available on the remote control. The remote control is supplied

COMPACT



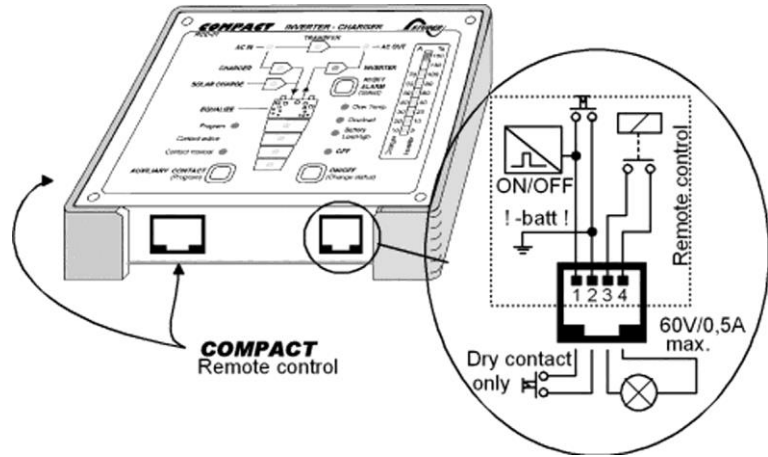
with a 20m long cable. It can as long as 40m. The remote control is suitable for surface mounting on the wall or on to a switch board. It is fixed with 4 screws. The COMPACT can also be programmed with the remote control. The programming is descry-bed in the section "Programming".

The output power and the charging currents are displayed on the remote control. In the remote control there is an additional alarm contact and a built-in control Input. These two functions are available through Tip-jack RJ11/4 for use. This auxiliary contact is Front / Work Contact (max. 0.5A!), which is independent from the auxiliary contact of the COMPACT. This con-tact is active in case of an alarm of the COMPACT.

The control input is connected in parallel to the ON/OFF-push button. The COMPACT can be switched on or off through this input with an impulse button or an impulse contact.

Caution: No external voltage should be connected to this input control.

Order number for remote control: RCC-01
 Dimensions: H x B x T / 111.5 x 136.5 x 25mm



4.11 The temperature sensor CT-35

Operating voltage of lead-acid batteries change depends on the temperature. To correct the operating voltages according to the actual temperatures, a temperature sensor can be connected to the COMPACT.

The compensation through the sensor is $-3\text{mV}/^\circ\text{C}/\text{Cell}$.

Order number: CT-35
 Dimensions: H x B x T / 58 x 51.5 x 22mm



4.12 Remote control for "Power Sharing" RPS-01

If the remote control RPS-01 is installed, the trimmer (26) "INPUT LIMIT" has to be set on the value max.. The COMPACT takes into account the lowest values set on the inverter and on the remote control.

The current available at the COMPACT input will be determined by the power of the connected source (generator, grid etc...). The potentiometer on the RPS-01 must be adjusted lower or equal to max. value of the power source.

For instance if the source is a generator of 2000 Watt, the potentiometer has to be set at max. 8A. This value is obtained in dividing 2000 Watt by 230V. If the COMPACT is connected to a power source which is protected by a 6A circuit breaker, the potentiometer must be set at a max. value of 6A.



Caution: the COMPACT will not limit if an appliance draws more current than available from the source! This means that the connected generator will be over-loaded or that the circuit-breaker before the COMPACT will break.

5 Programming

The COMPACT is equipped with a Flash processor fitted out with a Flash memory, which means that even when it is disconnected from the battery, the parameters that were programmed for the application remain after a new connection to the battery. It is possible to reinitialize (RESET) the COMPACT by pressing simultaneously on the three push buttons 19/20/21 during at least 2 seconds. A beep will confirm the RESET. The inverter switches off after this operation. It can be turned on again after the beep. The programmed parameters will remain.

5.1 Standard setting

The COMPACT is delivered with the following default settings:

Auxiliary contact: active in case of defect or manual turn off with the LED 10/11/12/13

Battery voltage :	Low voltage	11.6V / 23.2V / 46.4V
	Float charge	13.5V / 27.0V / 54.0V
	End of charge voltage	14.4V / 28.8V / 57.6V
	Equalization	15.6V / 31.2V / 62.4V

Absorption time :	2 hours
Equalizing time :	20 minutes

5.2 Reset value (default settings)

To come back to the default settings, press simultaneously on the push buttons 20/21 during at least 2 seconds. A beep will confirm the comeback to the factory settings. The inverter switches off after this operation. It can be turned on again after the beep.

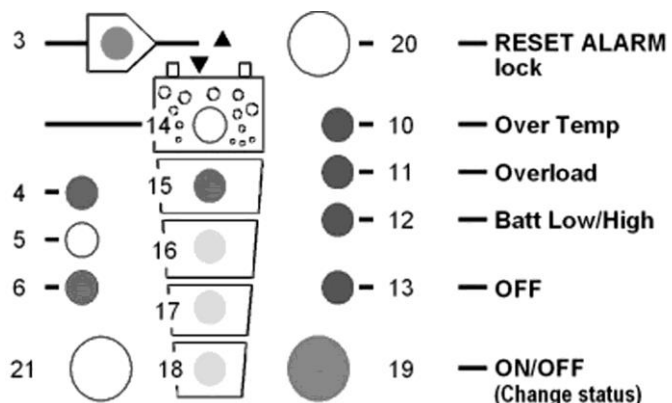
5.3 Battery voltages and absorption time

5.3.1 Set the voltage and timing threshold

The programming is done in accordance with the following steps:

Push and hold down, the push button 21 (Program) and the push button 19 (Change status) for minimum 2 seconds simultaneously.

With the push button 20 (select) select which of the battery level and of the absorption time have to be changed.



These four red LED's show the function set:

Low voltage	LED 13 (ON/OFF)
Float charge	LED 12 (Batt. Low/high)
Absorption (End of charge)	LED 11 (Overload)
Equalization	LED 10 (Overtemp.)
Absorption time	LED 10/11/12/13 (altogether)

With the push button 19 (change status) set the desired parameter (voltage or time) to modify (LED 14/ 15/16/17/18). Push button 19 (change status) to set the desired value according to the table 5.3.2.

If desired, repeat the operation with any other parameter (voltage or time) to be changed.

If during 30 seconds no buttons are pressed, the selected values are automatically stored and the COMPACT switches back in to the normal operating status.

The voltage levels and times changed through programming are only first active with the next charge cycle!

The voltage level which is not suitable can greatly reduce the battery life or could even destroy it! Therefore check beforehand with your battery supplier.

5.3.2 Table of voltage and timing threshold

The voltage levels (low voltage, float charge, end of charge and equalization) and the duration of the absorption charge can be changed.

The display of these voltages and the times in the program mode are in accordance with the diagram shown below:

LED	Low voltage			Float charge			Absorption			Equalization			Absorption time	Equalization time
	LED 13			LED 12			LED 11			LED 10			LED 10/11/12/13	LED 10/11
	12	24	48	12	24	48	12	24	48	12	24	48	12/24/48	12/24/48
14	12.0	24.0	48.0	13.7	27.4	54.8	16.2	32.4	64.8	16.2	32.4	64.8	4h	3h
15	11.8	23.6	47.2	13.6	27.2	54.4	15.6	31.2	62.4	15.9	31.8	63.6	3h	2h
16	11.6	23.2	46.4	13.5	27.0	54.0	15	30	60	15.6	31.2	62.4	2h	1h
17	11.4	22.8	45.6	13.4	26.8	53.6	14.4	28.8	57.6	15.3	30.6	61.2	1h	40'
18	11.2	22.4	44.8	13.3	26.6	53.2	14.2	28.4	56.8	15	30	60	0 – 1'	20'

The heavy printed values show the standard settings.

5.4 Auxiliary contact

5.4.1 Principle

The auxiliary contact can be basically programmed for any operating situation of the COMPACT which is indicated with a LED. The programming is possible for one or more operating situations. If the contact is programmed for many situations, it is activated as soon as the COMPACT finds itself in any one of the programmed situations. That means that the work of the contact meets that of the logic OR-Function.

5.4.2 The programming of the auxiliary contact

The programming of the auxiliary contact is carried out in the following Steps:

- The push button 21 (Program) presses down for min. 2 seconds. The LED 4 "Program" is lit as an indication, that the COMPACT is in program mode.
- A blinking LED shows the programmed condition for the auxiliary contact (LED 10/11/ 12/13 factory setting).
- With the push button 20 (select), select the desired condition in which the contact should be activated.
- With the push button 19 (change status) confirm or change the status for this condition. If desired, with the push button 20 (select) select another condition in which the contact should be activated.
- With the push button 19 (change status) confirm or change the status for this condition. If during 30 seconds no buttons are pushed, then the settled values

are automatically stored and the COMPACT switches back to normal operating condition.

5.4.3 Auxiliary contact as generator starter

As per the battery capacity

When in the programming of the auxiliary contact, the battery capacity (LED 15-18) is used as a condition; you must then take note of the following requirements.

If you have to start an emergency back-up supply with a battery having a certain residual capacity, then two battery levels must be programmed. The first (i.e. battery 25% LED 17) for the starting or activating the auxiliary contact and the second (i.e. battery 100% LED15) for stopping or disabling the auxiliary contact. Programmed like this the auxiliary contact works with the lowest set condition and stops when it has reached the highest programmed condition through charging.

Example: start of a generator with the COMPACT

In order to program the auxiliary contact to start at 25% and to stop at 75% of the battery state-of-charge, here is the procedure to follow:

- Press the key AUX. CONTACT (Program) 21 during at least 2 seconds. Then the states will be displayed blinking (factory settings LED's 10/11/12/13). As these states are not wished for the start of the generator, they must be disabled.
- With the key (select) 20, select the LED's to disable (the active LED's are blinking) and disable them with the key 19 Change Status. Select the other LED's to switch off with the key (select) 20 and switch them off with the key 19 Change Status until all are disabled.
- Then select the LED 17 with the key (select) 20 and activate the contact with the key 19 Change Status. The generator will start once the LED 17 switches of.
- Then select the LED 16 with the key (select) 20 and activate the contact with the key 19 Change Status. The generator will stop once the LED 16 switches on.
- If no key is activated during 30 seconds, the normal operation states are displayed automatically again.

For a control the key Program can be pressed at least 2 seconds. The values set are displayed blinking.

As per the inverter output power (not available with some special executions)

Activating the auxiliary contact for the generator start can be programmed also on a pre-determined output power of the inverter. The auxiliary contact will be activated if the inverter output power exceeds 80% of the inverter nominal power during 3 minutes and/or 100% during 30 seconds.

The auxiliary contact will remain activated 30 minutes after the input current has come back to a value lower than the one adjusted by the "INPUT LIMIT" (chap. 4.6.4). In other words, the contact will be deactivated 30 minutes after the lighting out of the LED 200%.

This programming is achieved accordingly to chap. 5.4.2 of the user manual and by activating the contact on LED 100% of "Power Monitor" (25).

5.4.4 Auxiliary contact as twilight witch (with solar charger option)

The auxiliary contact of the COMPACT can also be used as a twilight switch, i.e. to operate automatically the exterior lighting. With it the connected solar modules measure the light intensity. If the COMPACT is operating without solar modules and a twilight-switching function is desired, you can connect small solar cells with the nominal voltage of the COMPACT on to the SOLAR terminals for the purpose of measuring the light intensity. To function as a twilight-switch the auxiliary contact must be programmed so that the condition SOLAR CHARGE (LED 3) is active.

Programming must be carried out in steps and in accordance with the description for the programming of the auxiliary contact.

5.4.5 Power cut of the second priority loads

The auxiliary contact can also be used to cut the power of less priority loads when the battery state of charge is lower than a given threshold. In that case, only one of the battery state of charge or the "transfer" function will be programmed as power cut criteria.

The second priority loads will be supplied only when the generator is ON or when the battery has a sufficient threshold.

5.4.6 Manual operating of auxiliary contact

The auxiliary contact can be operated at any time with the push button 21 (AUX. CONTACT). The LED 6 "Contact manual" lights up as information that the contact is manually operated, and LED 5 "Contact active" lights up when the contact is active. By pushing the push button 21 a second time, the contact is disabled. By pushing it the third time, automatic functions are restored.

5.5 Disabling some of the COMPACT functions




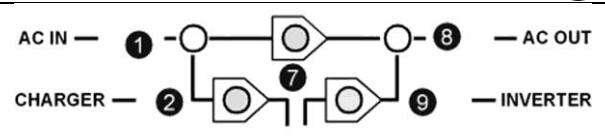
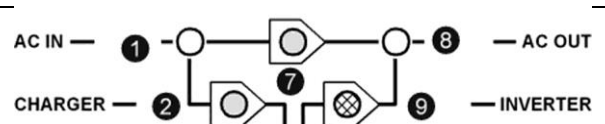


Each different function charger, inverter and transfer can be disabled. This is useful for specific applications which required disabling some of these three functions.

If you press the buttons 19 and 20 more than 2 seconds you can have access to the different possibilities shown in the following diagram.

In programming mode the display shows only the different types of program with the three LED's 2, 7 and 9 to each function. To change the type of programming, press shortly the button 20 until you reach the right function used according to the table below. After 10 seconds the COMPACT exits the programming mode and loads the new change.

In user mode, the disabled functions are displayed by blinking LED. So you can see which mode is disabled.

5.5.1 Diagram of the different modes

	 Shows an off LED  Shows a blinking LED  Shows a lighted LED
	All the functions are enabled. This is the factory setting.
	The inverter is disabled. Only the transfer switch and the charger will work normally.
	Inverter and charger are both disabled. Only the transfer switch function is enabled in input voltage and frequency is OK
	Charger and transfer switch are disabled. the inverter will work continuously even if there is a correct AC voltage at the input.

6 Maintenance

Apart from the periodic controls mentioned for the connections, the COMPACT does not need any maintenance. Keep the appliance clean and from time to time, wipe it clean with a damp cloth.

7 EU declaration of conformity

We hereby state that the products described in this user manual comply with the following standards:

Low Voltage Directive (LVD) 2014/35/EU - EN 50178:1997

Electromagnetic Compliance (EMC) Directive 2014/30/EU
- EN 62040-2:2006 - EN 61000-3-2:2014 - EN 61000-3-12:2011

CH - 1950 Sion, May 2016

STUDER INNOTECH (R. Studer)



8 Technical Data

Model	C 1600-12	C 2600-24	C 4000-48
Inverter			
Nominal battery voltage	12 Vdc	24 Vdc	48 Vdc
Input voltage range	9.5 - 16 Vdc	19 - 32 Vdc	38 - 60 Vdc
Continuous power @ 25°C	1300 VA	2300 VA	3500 VA
Power 30 min. @ 25°C	1600 VA	2600 VA	4000 VA
Power 5 sec. @ 25°C	3 x Pnom		
Maximum power	Up to short-circuit		
Maximum asymmetric load	Up to Pcont.		
Stand-by adjustment	1 to 25 W		
Cos φ	0.1 - 1		
Maximum efficiency	94 %	95 %	
Consumption OFF/Stand-by/ON [W]	0.5 / 0.6 / 6	0.8 / 0.9 / 9	1.2 / 1.4 / 12
Output voltage	Pure sine wave 230 Vac (±5 %)		
Output frequency	50 Hz ± 0.05 % (crystal controlled)		
Total harmonic distortion	< 2 %		
Overload and short-circuit protection	Automatic disconnection with 3 time restart attempt		
Overheat protection	Acoustic warning before shut-off - with automatic restart		
Battery charger (4 STEP) I-U-Uo-Equalize (every 25 cycles)			
Charging current adjustable	0 - 55 Adc		0 - 50 Adc
Input current balance adjustment	1 - 16 A		
Maximum input voltage	265 Vac		
Input AC voltage range	Adjustable threshold from 150 to 230 Vac (XPC also available in 120 Vac)		
Input frequency	45 - 65 Hz		
Power Factor Correction (PFC)	EN 61000-3-2		
Battery control (thresholds and times adjustable by the user)			
Absorption time	0 - 4 h		
End charge cycle voltage*	14.4 Vdc	28.8 Vdc	57.6 Vdc
Floating voltage*	13.6 Vdc	27.2 Vdc	54.4 Vdc
Equalization time*	0 - 4 h		
Equalization voltage*	15.6 Vdc	31.2 Vdc	62.4 Vdc
Deep-discharge protection*	10.8 Vdc	21.6 Vdc	43.2 Vdc
Temperature compensation (CT-35)	-3mV / ° C / Cell		
General data			
Multifunction contact programmable	16 A - 250 Vac (potential free 3 points)		
Max. current on transfer relay	16 Aac		
Transfer time	< 40 ms		
Weight	16 kg	17.1 kg	29.4 kg
Dimensions h/w/l [mm]	124 / 215 / 480		124 / 215 / 670
Protection index	IP20 (IP22 with top cover C-IP22)		
Certification ECE-R 10 (E24)	•	•	Not available
EU declaration of conformity	Low Voltage Directive (LVD) 2014/35/EU: - EN 50178:1997 Electromagnetic Compliance (EMC) Directive 2014/30/EU - EN 62040-2:2006 - EN 61000-3-12:2011		
Operating temperature range	-20°C to +55°C		
Relative humidity in operation	95 % without condensation		
Ventilation	From 45°C		
Acoustic level	<40 dB / <45 dB (without/with ventilation)		
Warranty	5 years		
ISO Certification	9001:2008 / 14001:2004		
Option solar charger (4 stages)			
Maximum PV open circuit voltage (V)	25 Vdc	45 Vdc	90 Vdc
Maximum charge current (A)	30 Adc	30 Adc	20 Adc
Charging curve	I-U-Uo-Equalize (every 25 cycles)		
Accessories			
RCC-01 Remote control		•	
CT-35 Temperature sensor		•	
ARM-01 Auxiliary relay module		•	
CFC-01 Cover, C-IP22 Cover		•	

Data may change without any notice

Deutsche Beschreibung

1 Allgemeine Informationen

1.1 Zu dieser Bedienungsanleitung

Diese Anleitung ist ein fester Lieferbestandteil jedes Kombiwechselrichters COMPACT. Sie dient als Richtlinie für den sicheren und effizienten Betrieb des COMPACT. Die Anleitung ist nur gültig für die folgenden Geräte und Optionen:

COMPACT C 1600-12

COMPACT C 2600-24

COMPACT C 4000-24

Temperatursonde CT-35

Fernsteuerung für "Power Sharing" RPS-01

Fernsteuerung RCC-01

AC-Kabeleinführung CFC-01

Solarladeregler Cxxxx-S

IP-22 Abdeckung C-IP22

Jede Person, die einen COMPACT installiert und/oder mit einem COMPACT arbeitet, muss vollständig mit dem Inhalt dieser Anleitung vertraut sein und strikt alle Warn- und Sicherheitshinweise befolgen. Die Installation des COMPACT und Arbeiten daran müssen von qualifiziertem und dafür ausgebildetem Personal ausgeführt werden. Installation und Anwendung müssen in jedem Fall den jeweiligen örtlichen Installations- und Sicherheitsvorschriften entsprechen.

1.2 Qualität und Garantie

Während der Produktion und der Montage der COMPACT durchlaufen sämtliche Geräte mehrere Kontrollen und Tests. Fabrikation, Kontrollen und Tests erfolgen gemäss genau festgelegten Protokollen. Jeder COMPACT hat seine eigene Seriennummer, welche dazu dient bei eventuellen Kontrollen oder Reparaturen auf die genauen Gerätedaten zurückzugreifen. Entfernen Sie darum nie das Typenschild mit der Seriennummer. Die Fabrikation, Montage und Tests aller COMPACT werden vollständig in unserer Firma in Sion (CH) ausgeführt. Die Garantie für dieses Gerät gilt für die in dieser Betriebsanleitung aufgeführten Anwendungen und Betriebsfälle.

Die Garantiedauer für die COMPACT beträgt 5 Jahre.

1.3 Garantiausschluss

Für Schäden, welche durch Anwendungen, Manipulationen, Betriebsfälle und Behandlungen entstehen, welche nicht ausdrücklich in dieser Betriebsanleitung aufgeführt sind, können keine Garantieleistungen gewährt werden.

Nachfolgend eine Liste von Fällen für welche explizit keine Garantie gewährt wird.

- Überspannungen an den Eingängen (z.B. 48V am Batterieeingang des COMPACT 1600-12)
- Verpolung bei Batterieanschluss(+/- vertauscht)
- In das Gerät eingelaufene Flüssigkeiten oder Oxydation durch Kondensation
- Defekte durch mechanische Einflüsse
- Nicht ausdrücklich von STUDER INNOTECH autorisierte Änderungen
- Nicht oder nur teilweise festgezogene Schrauben und Muttern nach Wechseln von Sicherungen oder Anschlusskabeln.
- Transportschäden, z.B. durch unsachgemässe Behandlung oder Verpackung
- Schäden durch atmosphärische Überspannungen (Blitzschlag)

1.4 Haftungsausschluss

Die Einhaltung dieser Betriebsanleitung und der Bedingungen und Methoden der Installation, dem Betrieb, der Verwendung und der Wartung dieses Gerätes können von der Firma STUDER INNOTECH nicht kontrolliert oder überwacht werden. Daher übernehmen wir keinerlei Haftung und Verantwortung für Schäden, Verluste und Kosten, die aus dem Betrieb dieses Gerätes entstehen oder die aus fehlerhafter Installation, unsachgemäßem Betrieb oder falscher Verwendung und Wartung entstehen oder in irgendwelcher Art und Weise damit zusammenhängen. Ebenso übernehmen wir keine Verantwortung für patentrechtliche Verletzungen oder Verletzung anderer Rechte Dritter, die aus der Verwendung dieses Gerätes entstehen.

Der Einsatz und Betrieb von Geräten von STUDER INNOTECH obliegt in jedem Fall der Verantwortung des Kunden.

Die in dieser Beschreibung erwähnten Geräte sind nicht für den Betrieb von lebenserhaltenden Systemen einzusetzen.

Die Firma STUDER INNOTECH behält sich das Recht vor, Änderungen der technischen Daten dieses Gerätes oder dieser Betriebsanleitung ohne vorherige Mitteilung oder Ankündigung vorzunehmen.

1.5 Warnungen

Diese Betriebsanleitung muss so aufbewahrt werden, dass sie den Benutzern jederzeit zur Verfügung steht. Die Benutzer müssen mit den Warn- und Sicherheitsangaben vertraut sein.

Beim Betrieb des COMPACT treten an dessen Anschlüssen und im Geräteinnern lebensgefährliche Spannungen auf. Arbeiten am Gerät und an der Installation dürfen nur von entsprechend ausgebildeten und dafür geschulten Personen ausgeführt werden.

Die gesamte mit dem COMPACT zusammenhängende Installation muss in jedem Fall den jeweiligen gültigen Vorschriften entsprechen.

Nicht von STUDER INNOTECH schriftlich autorisierten Personen ist es ausdrücklich untersagt, Änderungen oder Reparaturen am Gerät auszuführen. Für autorisierte Änderungen dürfen nur Originalteile verwendet werden.

Der COMPACT darf nur dann betrieben werden, wenn er gemäss dieser Anweisung installiert ist und wenn sämtliche Teile richtig montiert sind.

An den Ein- und Ausgängen der Geräte dürfen nur die dafür vorgesehenen Energiequellen oder Verbraucher angeschlossen werden.

Um an einem Compact gefahrlos Unterhalt oder Reparaturen auszuführen, müssen sämtliche Anschlüsse vorher abgetrennt werden.

Vorsicht: Auch wenn ein COMPACT von sämtlichen Anschlüssen getrennt wurde, können an dessen Ausgang noch lebensgefährliche Spannungen anliegen. Um dies zu vermeiden, muss der COMPACT mit der ON/OFF-Taste eingeschaltet werden. Nach einer Minute ist die Elektronik entladen und die jeweiligen Arbeiten können gefahrlos ausgeführt werden.

Der COMPACT ist nur für Innenmontage geeignet und darf auf keinen Fall Schnee, Regen oder sonstigen Flüssigkeiten ausgesetzt werden. Bei Montage in Fahrzeugen muss darauf geachtet werden, dass er vor Spritzwasser geschützt ist.

An einen COMPACT dürfen nur Blei-Säure- oder Blei-Gel- Batterien angeschlossen werden.

Vorsicht: Blei- Säure- Batterien sowie auch Blei- Gel- Batterien erzeugen im normalen Betrieb ein hoch explosives Gas. In der Nähe von Batterien dürfen

weder Feuer entfacht noch Funken erzeugt werden. Die Batterien müssen in einem gut belüfteten Raum untergebracht sein, und sie müssen so untergebracht sein, dass aus Unachtsamkeit keine Kurzschlüsse auf deren Anschlüssen entstehen können.

Versuchen Sie nie gefrorene Batterien zu laden.

Ein COMPACT darf nicht für lebenserhaltende Anlagen oder Applikationen verkauft oder in solchen Anlagen eingesetzt werden.

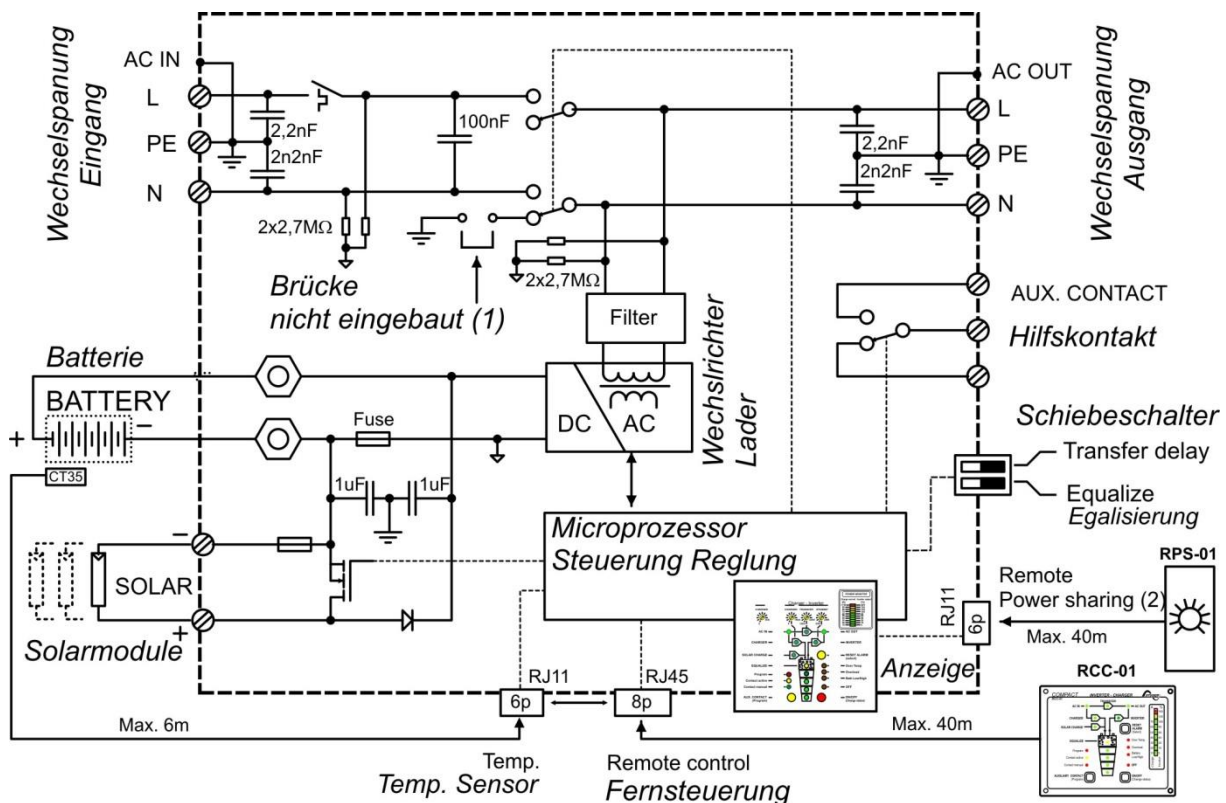
1.6 Besondere Schutzmassnahmen

- Bei Arbeiten an Batterien muss für eventuelle Hilfeleistung immer eine 2. Person in Rufnähe sein.
- Genügend frisches Wasser und Seife muss in der Nähe bereitgestellt werden, damit bei Kontakt der Säure mit Kleidern Haut oder Augen die entsprechenden Stellen sofort gut gewaschen werden können.
- Bei Säurekontakt mit den Augen müssen diese mindestens während 15 Minuten mit kaltem Wasser gründlich gespült werden. Es empfiehlt sich, danach sofort einen Arzt aufzusuchen.
- Mit Backpulver kann Batteriesäure neutralisiert werden. Halten Sie darum immer eine Handvoll davon bereit.
- Bei Arbeiten mit metallischen Werkzeugen in der Nähe oder an den Batterien ist besondere Vorsicht geboten. Mit Werkzeugen wie Schraubenzieher, Schraubenschlüssel usw. können Kurzschlüsse verursacht werden. Dabei entstehende Funken können eine Explosion verursachen.
- Bei Arbeiten an Batterien müssen auch alle persönlichen Metallteile wie Ringe, Hals- und Armbänder, Uhren usw. abgelegt werden. Batterien sind so stark, dass bei Kurzschlüssen mit solchen Gegenständen diese sofort zum Schmelzen gebracht werden und somit schwere Brandwunden entstehen können.
- Halten Sie sich an die Vorschriften des Batteriefabrikanten.
- Unter bestimmten Bedingungen kann der COMPACT oder ein angeschlossener Generator automatisch starten. Bei Arbeiten an der elektrischen Installation muss darum sichergestellt sein, dass diese Geräte vorher von der Installation getrennt wurden.

2 Einführung

Der COMPACT ist ein Sinuswechselrichter mit integriertem Batterielader mit vielen Zusatzfunktionen der für den Einsatz als netzunabhängiges Wechselstromversorgungssystem oder als unterbrechungsfreie Stromversorgung entwickelt wurde.

2.1 Prinzip Schema



Bemerkung :

(1) **Der Neutralleiter "N" des COMPACT ist in keiner Funktionsart mit dem Erdleiter "PE" verbunden.** Falls nötig und wenn es die jeweiligen gültigen Vorschriften verlangen kann die automatische Zuschaltung der Erde mit dem Neutralleiter mit dem Einbringen einer Brücke im Geräteinnern realisiert werden. Klären Sie eine eventuelle Änderung mit dem Installateur.

(2) Fernbedienung für das Einstellen des maximalen Eingangsstroms (siehe Abschnitt 4.6.3)

2.2 Beschreibung der Hauptfunktionen

2.2.1 Der Wechselrichter

Der im COMPACT eingebaute Sinuswechselrichter erzeugt eine äusserst präzise spannungs- und frequenzstabile, sinusförmige Wechselspannung. Um auch grosse Lasten wie Elektromotoren usw. starten zu können, steht dem Verbraucher eine kurzzeitige Startleistung grösser als die Nominalleistung des COMPACT zur Verfügung.

Der Wechselrichter ist gegen Überlast, Übertemperatur und Kurzschluss geschützt. Ein Leistungsteil mit modernsten Power-MOS-FET Transistoren, ein Ringkerntransformator und ein schnelles Regelsystem bilden einen robusten und zuverlässigen Wechselrichter mit höchstem Wirkungsgrad. Eine von 1 – 20 Watt einstellbare Standby- oder Lasterkennungsschaltung sorgt für kleinsten Energieverbrauch und möglichst lange Lebensdauer der Batterie.

2.2.2 Der Transferschalter

Der COMPACT kann an eine Wechselstromquelle angeschlossen werden. Zum Beispiel an Notstromgeneratoren oder ans öffentliche Netz. Über den Transferschalter steht einerseits diese Wechselspannung am Ausgang für die angeschlossenen Verbraucher zur Verfügung. Andererseits werden damit die Batterien geladen. Die Energieaufteilung zwischen Verbraucher und Batterielader erfolgt automatisch.

2.2.3 Der Batterielader

Der eingebaute Batterielader ist so ausgelegt, dass er die Batterien möglichst schnell und voll-ständig laden kann. Ein mikroprozessorgesteuerter, 3- resp. 4- stufiger Ladeprozess sorgt für eine optimale Ladung der Batterien. Der gewünschte Ladestrom kann von 0 – 50/55A (je nach Model) stufenlos eingestellt werden. Der Batterielader ist für Blei- Säure- und Blei- Gel- Batterien ausgelegt. Dank einem geregelten Schwebeladungssystem (Ladeerhaltung) kann die Batterie ununterbrochen angeschlossen bleiben.

Die Einstellung muss entsprechend den Batteriekapazitäten und der zu ladenden Energiequelle vorgenommen werden.

2.2.4 Der Solarladeregler (Option)

Mit dem eingebauten Solarladeregler wird der COMPACT zu einem kompletten Solarpowercenter. In einer Solaranlage sorgt dieser Regler für die richtige Ladung der Batterien. Mit dem COMPACT können die Batterien gleichzeitig mit einem Generator und mit den Solarmodulen geladen werden. Die Ladung der Batterien mit beiden Energiequellen erfolgt vollautomatisch.

2.2.5 Die Fernsteuerung (Remote control)

Als Option kann eine Fernsteuerung am COMPACT angeschlossen werden. Alle Bedienungselemente und Anzeigen mit Ausnahme der Pegeleinstellungen sind auf dieser Fernsteuerung vorhanden. Die Fernsteuerung ist mit einem 20m langen Kabel versehen. Dieses Kabel kann bis auf 40m verlängert werden.

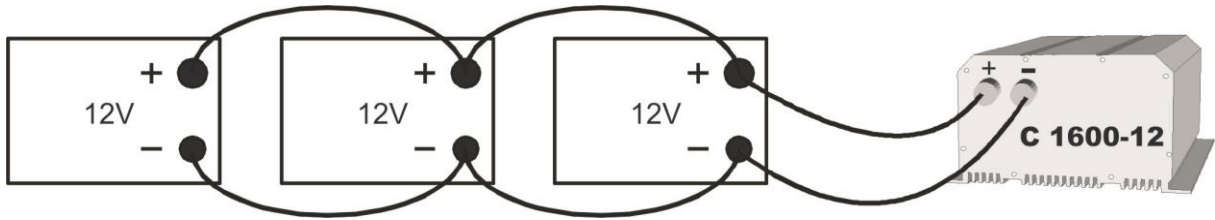
2.2.6 Fernsteuerung für Power Sharing (Automatische Eingangstromaufteilung)

Diese Fernsteuerung RPS-01 kann am COMPACT angeschlossen werden. Mit dem Drehknopf kann der maximale Strom der zur Verfügung stehenden Energiequelle eingestellt werden.

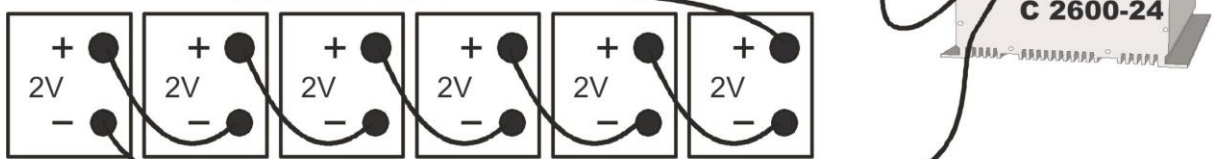
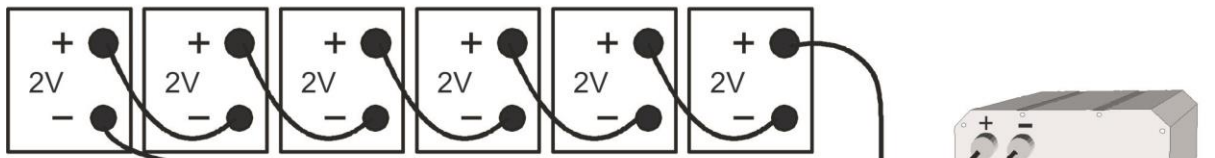
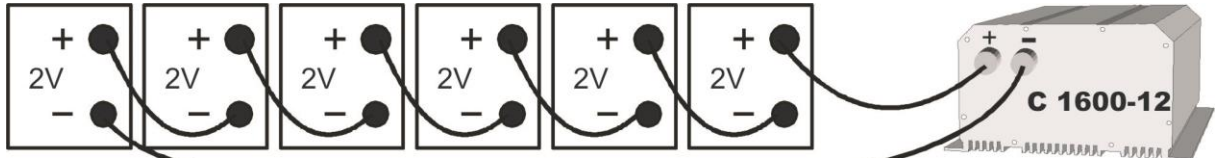
2.3 Batterie Verschaltungen

Blei- Säure- Batterien stehen normalerweise als Blöcke für 2V, 6V oder 12V zur Verfügung. Um die benötigte Betriebsspannung und Kapazität der Batterien für den Betrieb des COMPACT zu erzeugen, müssen in den meisten Fällen mehrere Batterien parallel und oder in Serie geschaltet werden. Nachfolgend sind einige Beispiele aufgeführt.

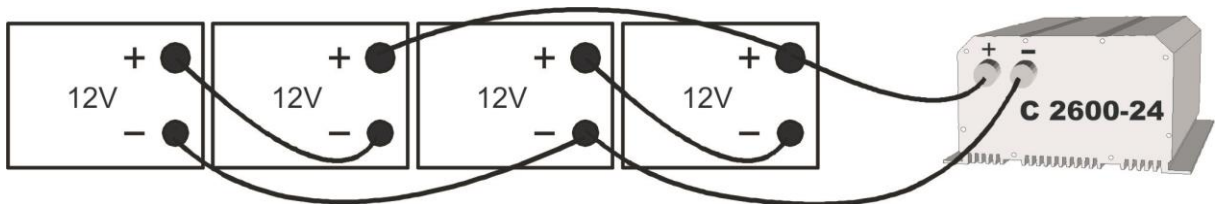
2.3.1 Parallelschaltung



2.3.2 Serieschaltung



2.3.3 Parallel- Serieschaltung



3 Montage und Installation

3.1 Ort der Montage

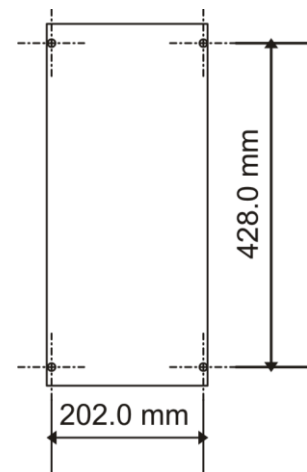
Der Standort des COMPACT muss nach folgenden Kriterien ausgewählt werden:

- Geschützt vor unbefugtem Zugriff
- Trockener, staubfreier Raum, keine Kondensation
- Nie direkt über der Batterie montieren und auch nie in einem Schrank zusammen mit der Batterie
- Belüftungslöcher freihalten. Bei mobilem Einsatz muss darauf geachtet werden, dass die Vibrationen möglichst klein sind.

3.2 Befestigung

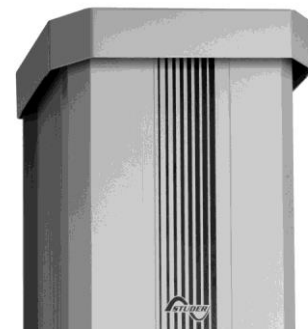
3.2.1 Befestigung des COMPACT'S

Grundsätzlich kann der COMPACT in jeder beliebigen Lage montiert werden. Vorzugsweise ist das Gerät aber für Wandmontage mit den Batteriekabeln nach unten zu montieren. Der COMPACT wird mit vier Schrauben durch die vier von aussen zugänglichen Löcher (Durchm. 5.5mm) an einer Wand befestigt. In Fahrzeugen sollte der COMPACT auf vibrationsdämpfenden Elementen befestigt werden. Der COMPACT darf nicht auf eine brennbare Unterlage montiert werden, da die Gehäuserückseite bis 80 Grad Celsius heiss werden kann.



3.2.2 Schutzabdeckung IP22 (Option)

Die Schutzabdeckung IP22 (Best. Nr. C-IP22) wird auf der Oberseite des COMPACT montiert. Am einfachsten erfolgt die Montage nachdem der COMPACT an der Wand befestigt wurde. Die 4 Befestigungsschrauben des COMPACT leicht lösen. Die oberen beiden Schrauben soweit lösen, dass die Abdeckung mit der Seite mit den U-förmigen Ausschnitten zwischen Wand und COMPACT eingeschoben werden kann bis sie auf den Schrauben ansteht. Danach die 4 Befestigungsschrauben gut festziehen.



3.3 Anschluss

3.3.1 Allgemeine Hinweise zum Anschluss:

- Der Kabelanschluss auf den Klemmen AC INPUT / AC OUTPUT / 16A 230VAC erfolgt mit einem Schraubenzieher Nr.1 und der Anschluss auf den Klemmen SOLAR mit einem Schraubenzieher Nr.2.
- Der Leiterquerschnitt der auf den Klemmen AC INPUT / AC OUTPUT / 16A 230VAC anzuschliessenden Kabel muss mind. 2.5mm² betragen.
- Sämtliche Anschlusskabel, auch die Batteriekabel, müssen mit einer Zugentlastung montiert werden.
- Die Batteriekabel dürfen grundsätzlich nicht verlängert werden. Ist eine Verlängerung unumgänglich, muss der Leiterquerschnitt entsprechend erhöht werden.

- Um die Batteriekabel zu schützen, muss direkt auf der Batterie eine dem Leiterquerschnitt entsprechende Sicherung montiert werden.
- Sämtliche Kabel müssen gut festgeschraubt sein. Zur Sicherheit empfehlen wir eine jährliche Kontrolle. Bei mobilen Anlagen sollten die Anschlüsse öfter kontrolliert werden.
- Der Anschluss muss von ausgebildeten Fachleuten ausgeführt werden. Das für die Installation verwendete Material wie Kabel, Steck- und Verteildosen, Sicherungen usw. muss den jeweils gültigen Installationsvorschriften für Niederspannungsanlagen entsprechen.

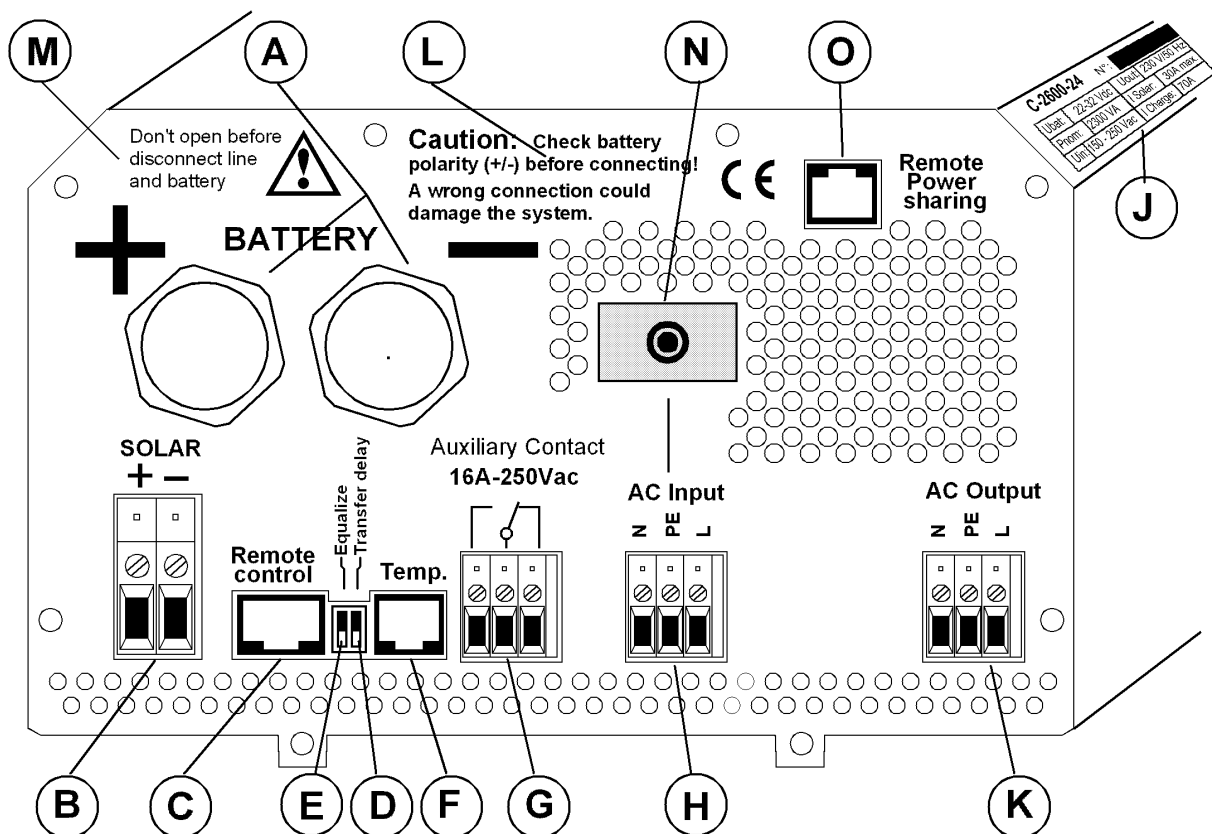
Der **COMPACT** wird mit bereits angeschlossenen Batteriekabeln geliefert.

3.3.2 Kabeleinführung mit Stopfbuchsen (Option CFC-01)

Eine Schutzabdeckung mit Zugentlastung für die Kabel kann als Option CFC-01 angebracht werden. Diese Abdeckung wird mit 2 Schrauben befestigt und erlaubt die korrekte Zugentlastung der Anschlusskabel.



3.4 Anschlussplan / Frontseite



- | | | |
|---|----------------|---|
| A | Battery +/- | Batteriekabel (bereits montiert) |
| B | SOLAR +/- | Anschlussklemmen für Solarmodule |
| C | Remote contr. | Steckanschluss für Fernsteuerung RCC-01 |
| D | Transfer delay | Schiebeschalter für Transfervverzögerung |
| E | Equalize | Schiebeschalter für Egalisierung der Batterie |
| F | Temp. | Steckanschluss für Temperatursonde CT-35 |
| G | Aux. Contact | Anschlussklemmen für den Hilfskontakt |

H AC Input	Anschlussklemmen für Wechselspannungseingang. Direkt über diesen Klemmen liegt der dazugehörige Sicherungsautomat.
J Typ...	Typenschild mit Leistungsdaten und Seriennummer
K AC Output	Anschlussklemmen für Wechselspannungsausgang
L Caution...	Vorsicht: Vor dem Anschliessen der Batterie unbedingt Polarität (+/-) kontrollieren! Falschanschluss kann den Compact beschädigen
M Don't...	Nicht öffnen bevor sämtliche Anschlüsse entfernt wurden
N 16A Schutzsch.	16A Schutzschalter für das Transfersystem
O Remote Power Sharing	Aufteilung des Eingangsstromes

3.5 Verdrahtung

Der Anschluss des Kombigerätes COMPACT ist eine wichtige Etappe bei der Installation. Achten Sie darauf gut darauf, dass die Anschlussarbeiten sauber und korrekt ausgeführt werden und dass auf keinen Fall die Anschlussdrähte auf falsche Klemmen geführt werden.

Der Anschluss des COMPACT muss in folgender Reihenfolge ausgeführt werden. Bei einer eventuellen Demontage ist die umgekehrte Reihenfolge einzuhalten.

3.6 Voreinstellungen

Bevor Sie mit der Verdrahtung des COMPACT beginnen, muss der verwendete Batterietyp eingestellt werden. Falls Gel-Batterien verwendet werden, muss der kleine Schiebeschalter "Equalize"(E) in die Position OFF (Schiebeschalter nach unten) gebracht werden. Falls "normale" Blei – Säure – Batterien verwendet werden und diese eine erhöhte Ausgleichladung vertragen, kann der Schiebeschalter "Equalize" in die Position ON gebracht werden. Mit dieser Einstellung wird bei jedem 25. Zyklus automatisch eine Ausgleichladung ausgeführt. Im Zweifelsfalle muss der Schiebeschalter auf der Stellung OFF belassen werden.

3.6.1 Anschluss der Batterie

Bereiten Sie die Batterien für den Anschluss vor: Passende Batterieklemmen, entsprechende Sicherung auf einer Klemme. Batteriekabel vorbereiten, wenn nötig Kabelschuhe aufpressen. Das rote Kabel auf dem Plus(+)-Pol und das schwarze Kabel auf dem Minus(-)-Pol befestigen. Beim Kontakt mit dem Batteriepol beim Anschluss des zweiten Kabels entsteht ein Funke, weil kurzzeitig ein hoher Strom in den COMPACT fließt (die Kondensatoren werden geladen). Befolgen Sie darum strikt die in dieser Beschreibung empfohlenen Schutzmassnahmen. Kontrollieren Sie, ob die rote Leuchtdiode OFF (13) leuchtet. Wenn dies nicht der Fall ist, drücken Sie bitte kurz die Taste ON/OFF (19), darauf muss OFF leuchten.

Beim Anschluss der Batterie benötigt der COMPACT 1 – 2 Minuten um die jeweilige Batteriekapazität zu berechnen. Während dieser Zeit wird der Batteriezustand als 100% geladen angezeigt (LED 15 – 18 leuchten).

Leuchtet die LED 12 Battery Low/High, ist die Batteriespannung zu tief. Blinkt die LED 12 Battery Low/High, ist die Batteriespannung zu hoch. Vorsicht: Bei zu hoher Batteriespannung kann der COMPACT zerstört werden. (Zum Beispiel bei Anschluss eines C 1600-12 an eine 48V-Batterie).

Wurde der COMPACT trotzdem mit falscher Polarität angeschlossen, ist mit grösster Wahrscheinlichkeit die Sicherung defekt. Die Sicherung befindet sich im Geräteinnern. Bevor der Gehäusedeckel geöffnet wird, müssen sämtliche Anschlüsse entfernt werden; auch die Batterie muss abgeklemmt werden. Arbeitet der COMPACT nach dem Auswechseln der Sicherung und der Richtigstellung der Polarität nicht, ist das Gerät defekt und muss zur Reparatur gesandt werden.

3.6.2 Anschluss der 230Vac-Verbraucher (AC OUT)

Die 230V Verbraucher müssen auf den Schraubklemmen AC OUT angeschlossen werden. Verwenden Sie dazu ein 3-adriges Kabel mit einem entsprechenden Leiterquerschnitt. Die Anschlüsse sind wie folgt gekennzeichnet: "N" Nulleiter, "PE" Erde (mit dem Gehäuse verbunden), "L" Phase.

Vorsicht: Auf diesen Klemmen liegt eine lebensgefährliche Spannung von 230V an. Vor jeglicher Manipulation muss der Compact ausgeschaltet sein (LED 13 leuchtet).

3.6.3 Anschluss des 230Vac Eingangs (AC IN)

Die 230V-Speisung vom Netz oder von einem Generator muss auf den Schraubklemmen AC IN angeschlossen werden. Verwenden Sie dazu ein 3-adriges Kabel mit einem entsprechenden Leiterquerschnitt. Die Anschlüsse sind wie folgt gekennzeichnet: "N" Nulleiter, "PE" Erde (mit dem Gehäuse verbunden), "L" Phase.

3.6.4 Anschluss der Solarmodule: SOLAR +/- (Option)

Auf diesen Klemmen werden die Solarmodule angeschlossen. Es dürfen auf keinen Fall andere Energiequellen wie z. B. Windgeneratoren angeschlossen werden! Die Solarmodule müssen mit zwei Leitern +/- angeschlossen werden. Der Drahtquerschnitt sollte je nach Leistung der Module 2.5 bis 6mm² betragen. Vor dem Anschluss muss mit einem Voltmeter kontrolliert werden, dass die Leerlaufspannung der Module den folgenden Werten entsprechen: C 1600-12 17-25V / C 2600-24 34 – 45V / C4000-48 68 – 90V.

HINWEIS: Da der im AJ integrierte Solarladeregler eine PWM-Regelung hat, dürfen nur Solarmodule mit 36 oder 72 Zellen angeschlossen werden (12V oder 24V Off-Grid Module). Für alle anderen Arten von Solarmodulen wird ein MPPT-Solarladeregler benötigt (z.B. VarioTrack oder VarioString).

3.6.5 Anschluss des Hilfskontaktes

Dieser Kontakt ist ein potentialfreier Wechselkontakt. Die zugelassenen Spannungen und Ströme für diesen Kontakt sind in den technischen Daten festgelegt. Die Kontaktdarstellung auf der Anschlussfront ist in Ruhestellung (nicht aktiv) des Relais gezeichnet (LED 5 "Contact active" gelöscht).

3.6.6 Anschluss der Fernsteuerung (Remote control RCC-01)

Die Fernsteuerung RCC-01 wird mit einem 20m langen Kabel mit einem Stecker RJ11/8 in die mit "Remote control" bezeichnete Buchse "C" eingesteckt. Die Fernsteuerung kann in jeder Betriebssituation ein- bzw. ausgesteckt werden. Den Stecker ohne Kraftaufwand einschieben, bis ein hörbares Klicken das Einrasten anzeigt. Das gleiche Vorgehen gilt für den Stecker in der Fernsteuerung. Die Länge des Kabels für die Fernsteuerung kann bis auf 40m verlängert werden.

3.6.7 Anschluss der Temperatursonde (Temp. CT-35)

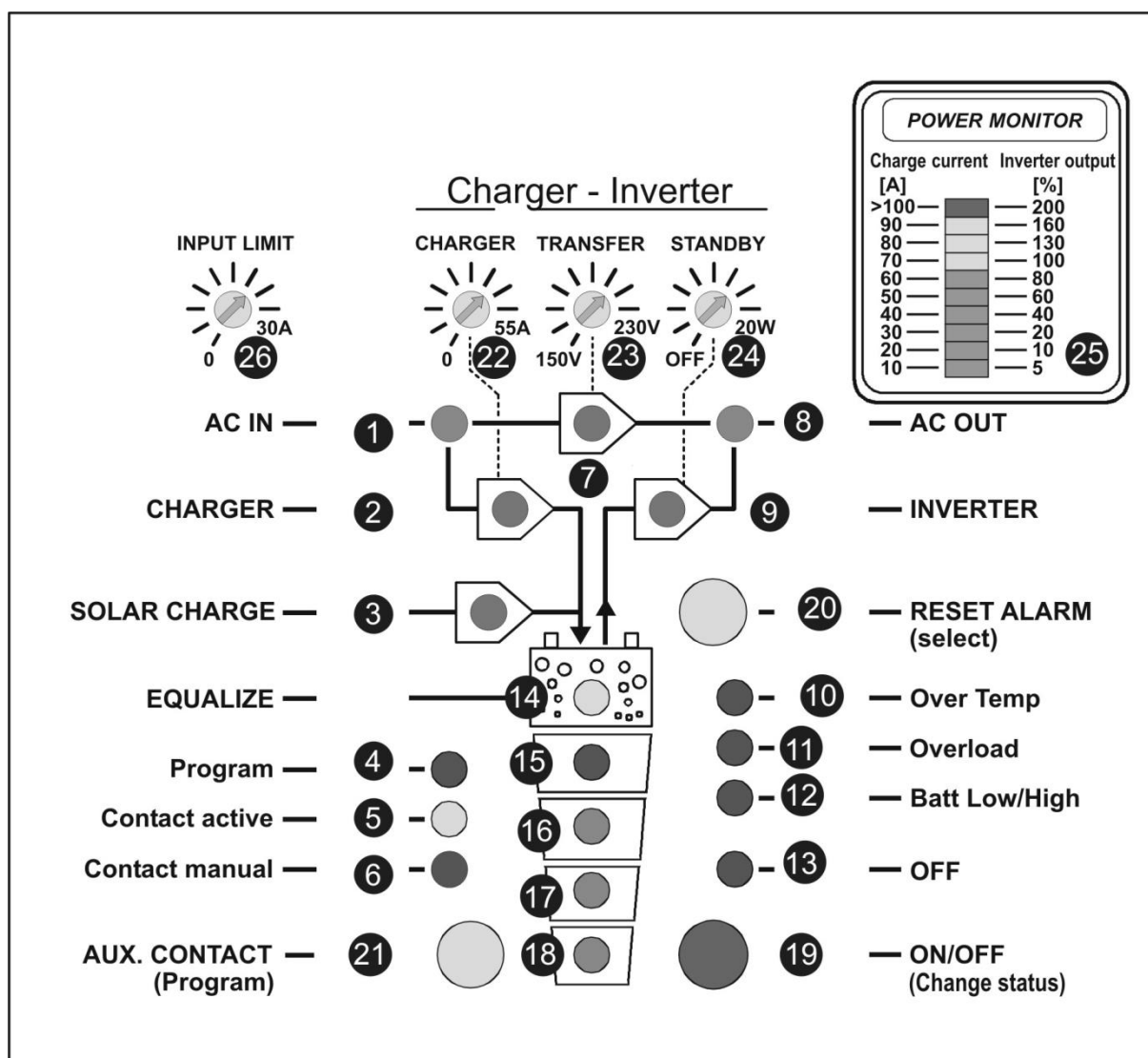
Die Temperatursonde CT-35 wird mit einem 3m langen Kabel mit einem Stecker RJ11/6 in die mit "Temperatur Sensor" bezeichnete Buchse "F" eingesteckt. Die Temperatursonde kann in jeder Betriebssituation ein- bzw. ausgesteckt werden. Den Stecker ohne Kraftaufwand einschieben, bis ein hörbares Klicken das Einrasten anzeigt. Die Temperatursonde muss an der Seitenwand der Batterie oder in deren Nähe festgeklebt werden. **Das Kabel der Temperatursonde darf nicht mit den Batteriekabeln zusammengebunden oder in einem Strang verlegt werden.**

3.6.8 Anschluss der Fernsteuerung für die autom. Leistungsaufteilung "Power Sharing" (RPS-01)

Diese Fernsteuerung wird mit einem 20m langen Kabel mit Stecker RJ11/6 eingesteckt. Sie kann in jeder Betriebssituation ein- bzw. ausgesteckt werden. Den Stecker ohne Kraftaufwand einschieben, bis ein hörbares Klicken das Einrasten anzeigt.

4 Bedienung

4.1 Anzeigen und Bedienelemente



4.2 Leuchtdioden (LED)

LED	Bezeichnung	LED leuchtet	LED blinkt
1	AC IN	Eine Spannung entsprechend den eingestellten Werten liegt am Eingang AC IN an	Eine Spannung, ausserhalb der eingestellten Werte, liegt am Eingang AC IN an, oder der COMPACT befindet sich in Synchronisationsphase
2	CHARGER	Der Batterielader arbeitet	Der Batterielader ist vorübergehend ausser Betrieb und startet in den nächsten 10 Sekunden. Oder er ist durch Programmierung gesperrt
3	SOLAR CHARGE	Die angeschlossenen Solarmodule liefern Energie	
4	Program	Programmmodus für Hilfskontakt	
5	Contact active	Der Hilfskontakt ist aktiv	
6	Contact manual	Der Hilfskontakt wurde manuell betätigt	
7		Das Transfersystem ist aktiv. Die Eingangsspannung wird direkt an den Ausgang AC OUT geleitet	Die Transferfunktion ist mittels Programmierung gesperrt
8	AC OUT	Am Ausgang AC OUT liegt Spannung an	Der Wechselrichter ist im Standby-Modus
9	INVERTER	Der Wechselrichter arbeitet	Der WR ist mittels Programmierung gesperrt
10	Over Temp.	Der COMPACT ist wegen Überhitzung vorübergehend ausser Betrieb	
11	Overload	Der COMPACT ist wegen Überlast oder Kurzschluss ausser Betrieb	
12	Batt. Low/High	Die Batteriespannung ist zu tief	Die Batteriespannung ist oder war zu hoch
13	OFF	Der COMPACT ist ausgeschaltet Wiedereinschalten nur manuell möglich	Der COMPACT ist vorübergehend ausgeschaltet. Das Wiedereinschalten erfolgt automatisch sobald der Fehler verschwunden ist!
14	Equalize	Ein Egalisierungszyklus ist programmiert	Der Batterielader macht einen Egalisierungszyklus

15–18		Ladezustand der Batterie 25%/50%/75%/100%	LED 15: Der Lader ist in der Absorbitionsphase
25	Power Monitor	Ausgangsleistung in % der Nominalleistung (Betriebsart Wechselrichter) sowie Ladestrom in A (Betriebsart Batt.-Lader) (Bei aktiviertem "Power Sharing" leuchtet der obere rote Balken)	

4.3 Tasten

19	ON/OFF	Ein- bzw. Ausschalten des COMPACT (Hilfstaste für Programm.)
20	RESET	Akustisches Signal aus (Hilfstaste für Programmierung)
21	Aux. Contact	Manuelle Steuerung des Hilfskontakt (Hilfstaste für Programmierung)

4.4 Drehknöpfe

22	CHARGER	Einstellen des max. Ladestroms
23	TRANSFER	Einstellen der Umschaltsschwelle TRANSFER – Wechselrichter
24	STANDBY	Einstellen der Lasterkennungsschaltung
26	INPUT LIMIT	Einstellen des max. Stromes der am Eingang angeschlossenen Energiequelle

4.5 Der Wechselrichter

Im COMPACT ist ein Wechselrichter eingebaut, welcher eine Sinus-Wechselspannung höchster Qualität erzeugt. Mit diesem Wechselrichter können jegliche Wechselstromverbraucher 230Vac bis zur Nominalleistung des COMPACT betrieben werden. Zum Starten von Motoren steht mit dem COMPACT erhöhte Leistung zur Verfügung.

Der Wechselrichtermodus wird angezeigt durch die LED 9 (Inverter). Wurde der Wechselrichterbetrieb mittels Programmierung gesperrt, blinkt die LED 9. Wenn LED 9 und LED 8 leuchten, ist der Wechselrichter in Betrieb und am Ausgang AC OUT liegen 230Vac an.

Die jeweilige Leistung der angeschlossenen Verbraucher wird auf dem Power Monitor und auf der Fernsteuerung angezeigt.

4.5.1 Lasterkennungsschaltung "Standby"

Um die Batterie nicht unnötig zu entladen, schaltet sich der Wechselrichter automatisch aus, wenn kein Verbraucher angeschlossen ist, und automatisch wieder ein, wenn ein Verbraucher eingeschaltet wird. Die LED 8 blinkt, wenn der Wechselrichter im Standby- Modus ist. Der Einschaltpegel kann mit dem Drehknopf 24 "STANDBY" eingestellt werden. Das Einstellen des Einschaltpegels geschieht folgendermassen: Sämtliche Verbraucher ausschalten (die LED 8 muss blinken); Drehknopf 24 nach rechts bis zum Anschlag drehen; kleinsten Verbraucher einschalten (z.B. Ladegerät für das Mobiltelefon); Drehknopf **langsam** nach links drehen bis LED 8 leuchtet.

Ist der Standby- Modus nicht erwünscht, muss der Drehknopf 24 nach links in die Stellung OFF gedreht werden.

4.5.2 Überlast

Wird der Wechselrichter zu lange oder zu stark überlastet, erfolgt seine Abschaltung. Die LED 11 "Overload" leuchtet und die LED 13 "OFF" blinkt. Nach ca. 10 Sekunden schaltet sich der Wechselrichter automatisch wieder ein. Wird der Wechselrichter vier mal hintereinander in kurzer Folge überlastet, schaltet der Wechselrichter nicht mehr automatisch ein. Die LED 13 leuchtet dauernd. Ein Wiedereinschalten muss durch Drücken der Taste 19 "ON/OFF" erfolgen.

4.5.3 Überhitzung

Wird der Wechselrichter zu lange überlastet oder wird er bei zu hoher Umgebungstemperatur betrieben, erfolgt seine Abschaltung. Die LED 10 "Over Temp." leuchtet und die LED 13 "OFF" blinkt. Nach Abkühlung schaltet sich der Wechselrichter automatisch wieder ein. Eine Minute bevor sich der Wechselrichter wegen Übertemperatur abschaltet, ertönt ein akustisches Signal. Wenn der Hilfskontakt für das Ansprechen bei Übertemperatur programmiert wurde, spricht der Kontakt zusammen mit dem akustischen Signal an. Auf diese Weise kann zum Beispiel ein Notstromsystem gestartet werden, ohne dass eine Unterbrechung der Energieversorgung auftritt.

4.5.4 Batteriezustand

Tiefentladungen von Blei-Säure-Batterien führen zu grossem Kapazitätsverlust und vorzeitiger Alterung. Der Batteriezustand wird darum laufend überwacht. Bei Unterspannung schaltet sich der Wechselrichter ab. Die LED 12 "Batt. Low/High" leuchtet und die LED 13 "OFF" blinkt. Wenn die Batteriespannung wieder auf 12.1V / 24.2V / 48.4V ansteigt, schaltet sich der Wechselrichter automatisch wieder ein. Eine Minute bevor sich der Wechselrichter wegen Unterspannung abschaltet, ertönt ein akustisches Signal. Falls der Hilfskontakt für das Ansprechen bei Unterspannung programmiert wurde, spricht der Kontakt zusammen mit dem akustischen Signal an. Auf diese Weise kann zum Beispiel ein Notstromsystem gestartet werden, ohne dass eine Unterbrechung der Energieversorgung auftritt.

Die Unterspannung ist auf 11.6V / 23.2V / 46.4V eingestellt. Diese Einstellung gilt für die meisten handelsüblichen Batterien. Diese Spannungsschwelle wird von dem im COMPACT eingebauten Batteriemanagement-System entsprechend der Last und dem Batteriezustand nachgeführt. **Diese Einstellung ist etwa zu vergleichen mit der Entladeschlussspannung von 10.8V/ 21.6V / 43.2, welche für die meisten Batterien bei Nominallast angegeben wird.**

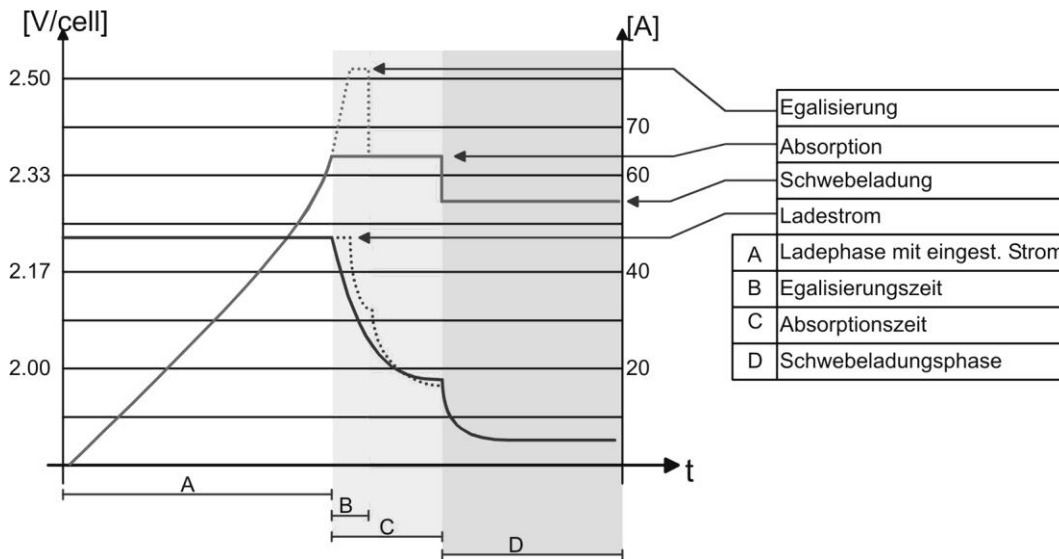
Sämtliche Spannungsschwellen können programmiert werden. Die Beschreibung finden Sie im Abschnitt Programmierung. Erkundigen Sie sich bei Ihrem Batteriehändler welche Werte für Ihre Batterie einzustellen sind.

4.6 Der Batterielader

4.6.1 Ladezyklus

Der vollautomatische Batterielader des COMPACT ist ab Werk so eingestellt, dass die meisten Blei-Säure- und Blei- Gel- Batterien optimal geladen werden. Sobald mindestens die auf dem Drehknopf 23 eingestellte Wechselspannung am Eingang AC IN anliegt (LED 1 AC IN leuchtet), schaltet der Batterielader automatisch ein (LED 2 CHARGER leuchtet). Die Batterie wird entsprechend ihrem Ladezustand, den eingestellten Spannungsschwellen und dem Ladestrom vollautomatisch aufgeladen. Dank dem eingebauten Schwebeladesystem können die Batterien bei eingeschaltetem Batterielader unbegrenzt lange angeschlossen bleiben.

Während des Ladevorganges werden die Verbraucher am Ausgang AC OUT weiterhin versorgt (LED 8 AC OUT leuchtet).



4.6.2 Spannungsschwellen der Batterie (Grundeinstellung)

Unterspannung			Schwebeladung			Absorption			Egalisierung			Absorptionsdauer	Egalisierungsdauer
12V	24V	48V	12V	24V	48V	12V	24V	48V	12V	24V	48V	12/24/48V	12/24/48V
11.6	23.2	46.4	13.5	27.0	54.0	14.4	28.8	57.6	15.6	31.2	62.4	2 St.	20'

Mit der Fernsteuerung RCC-01 können diese Werte verschieden programmiert werden

4.6.3 Egalisierungsladung (Equalize)

Bevor Sie den COMPACT für eine Egalisierungsladung programmieren, müssen Sie sich bei Ihrem Händler erkundigen, ob die Batterien auch wirklich dafür geeignet sind.

Um bei Blei-Säure-Batterien die Elektrolytflüssigkeit gut zu durchmischen und die Bleiplatten zu "entschlacken", empfiehlt sich von Zeit zu Zeit eine Egalisierung. Die Egalisierungsspannung kann geändert werden. Das Vorgehen ist im Abschnitt "Programmierung" beschrieben. Wenn der COMPACT mit einer Blei-Säure-Batterie betrieben wird, welche für Egalisierungsladungen zugelassen ist, kann der Schiebeschalter "E" in die Stellung ON gebracht werden (nach oben schieben). In dieser Schalterstellung wird automatisch bei jedem 25. Ladezyklus eine Egalisierung während 20 Minuten durchgeführt. Während eines solchen Ladezyklus leuchtet die LED 14 und während der Egalisierung blinkt sie. Ein Ladezyklus mit Egalisierung kann auch unabhängig von der jeweiligen Programmierung gestartet werden. Dazu muss der Schiebeschalter von der Position "Off" in die Position "On" geschoben werden. Die LED 14 leuchtet auf. Falls die periodische Egalisierung nicht erwünscht ist, muss nach diesem manuell ausgelösten Zyklus der Schiebeschalter wieder in die Stellung "Off" gebracht werden.

VORSICHT: Während der Egalisierung wird von den Batterien erheblich mehr Gas produziert. EXPLOSIONSGEFAHR BATTERIERAUM MUSS GUT GELÜFTET WERDEN!! Nicht dafür geeignete Batterien dürfen auf keinen Fall auf diese Weise geladen werden.

4.6.4 System zur automatischen Aufteilung des Eingangsstromes (Power sharing)

Damit die am Eingang des COMPACT angeschlossenen Energiequellen (Netz oder Notstromgenerator) möglichst effizient genutzt werden können, ist ein automatisches System (Power Sharing) zur Aufteilung der Leistung zwischen Batterielader und Verbraucher eingebaut. Die angeschlossenen Verbraucher haben gegenüber dem Batterielader Priorität. Entsprechend der von den Verbrauchern verlangten Leistung wird der Ladestrom automatisch reduziert. Der maximale am Eingang zur Verfügung stehende Strom wird mit einem Trimmer (26) eingestellt. Wenn der Batterielader mit reduziertem Ladestrom arbeitet wird dies mittels des roten Leuchtbalkens 200% auf dem Power Monitor (25) angezeigt.

4.6.5 Einstellung des maximalen Eingangsstromes "Input Limit"

Der am Eingang des COMPACT zur Verfügung stehende Strom wird durch die Leistung der angeschlossenen Stromquelle bestimmt (Generator, Netz usw.). Der Trimmer "INPUT LIMIT" (26) muss auf höchstens den maximalen Wert der Stromquelle eingestellt werden.

Wird zum Beispiel ein Generator mit 2000 Watt angeschlossen muss der Trimmer (26) auf höchstens 8,5A eingestellt werden. Diesen Wert erhält man, indem die Leistung von 2000 Watt durch 230 geteilt wird.

Wenn der COMPACT an eine Stromquelle angeschlossen wird die zum Beispiel mit einer 6A Sicherung geschützt ist, muss der Trimmer (26) "Input Limit" auf maximal 6A eingestellt werden.

Diese Einstellung kann auch über die optionale Fernsteuerung erfolgen (siehe 3.6.7). In diesem Fall wird der kleinste eingestellte Wert berücksichtigt.

Vorsicht: Wenn der von den Verbrauchern aufgenommene Strom den der angeschlossenen Quelle übersteigt, ist dessen Begrenzung durch den COMPACT nicht möglich! Das bedeutet, dass der angeschlossene Generator überlastet werden kann oder die dem COMPACT vorgeschaltete Sicherung anspricht.

Generator Leistung	Strom (230V)
500W	2A
900W	4A
1500W	6.5A
2000W	8.5A
3000W	13A

4.6.6 Ladestrom Einstellung

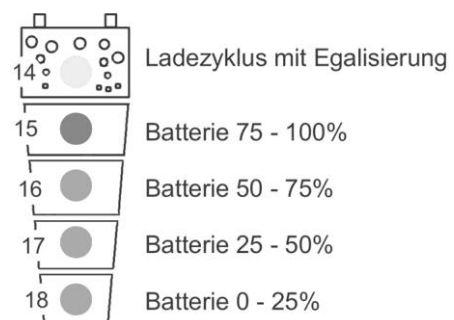
Der maximale Ladestrom für die Batterie kann mittels Drehknopf 22 (CHARGER) eingestellt werden. Der Ladestrom der Batterie sollte auf ca. 10 – 20% der Batteriekapazität eingestellt werden. Das heisst, dass der Ladestrom für eine Batterie mit 200Ah zwischen 20 – 40A eingestellt werden sollte.

Der Ladestrom wird auf dem POWER MONITOR (25) und auf der Fernbedienung angezeigt.

4.6.7 Batteriezustand

Der jeweilige Ladezustand der Batterie wird vom eingebauten Mikroprozessor mit einem speziell dafür entwickelten Algorithmus errechnet und mit den LED 15 – 18 angezeigt. Die LED 14 leuchtet, wenn das System einen Ladezyklus mit Egalisierungsladung ausführt.

Bemerkung: die genaue Messung des Ladezustands einer Batterie anhand elektrischer Parameter ist fast unmöglich. Anzeigen des Ladezustandes sind darum immer nur mehr oder weniger präzise Annäherungen.



Das im COMPACT eingebaute Messsystem berücksichtigt die Batteriespannung, den Entlade- respektive den Ladestrom sowie die Welligkeit der Spannung. Werden die Batterien und der COMPACT entsprechend deren technischen Daten betrieben zeigt das System den Zustand der Batterie verlässlich an. Bei folgenden nicht abschliessend behandelten Betriebsfällen kann die Anzeige abweichen:

- Laden oder Entladen der Batterie mit zu hohen Strömen
- Querschnitt der Batteriekabel zu klein
- Schlecht befestigte oder korrodierte Batterieanschlüsse
- Ladung der Batterien mit externen Batterieladern
- Entladung der Batterien mit nicht am COMPACT angeschlossenen Verbrauchern
- Bei Betrieb mit defekten oder sulfatierten Batterien.

Das heisst die Anzeige kann innerhalb weniger Minuten beim Laden von 25% auf 75% umschalten oder beim Entladen in die umgekehrte Richtung.

Da viele der oben aufgeführten Betriebsfälle recht häufig auftreten, berücksichtigt das Messsystem des COMPACT beim Laden nur die Spitzen der Spannungswelligkeit. Das hat zur Folge, dass die mit einem Voltmeter gemessene Batteriespannung bei Beginn der Absorptionsphase tiefer erscheint, sich aber mit dem automatischen Absenken des Ladestroms richtig einstellt.

Zur Sicherheit setzen Sie sich mit Ihrem Händler in Verbindung, um die empfohlenen Ladespannungen und Ladeströme für Ihre Batterie zu erfahren. Die Spannungsschwellen und die Ladecharakteristik können durch Programmierung geändert werden. Die Instruktionen für die Programmierung des Batterieladers finden Sie im Abschnitt "Programmierung" (5.3). Die richtige Ladung der Batterien ist für die Sicherheit, für die einwandfreie Funktion und für die Lebensdauer unerlässlich.

Die Funktion des Batterieladers ist in der Abbildung unter 4.6 dargestellt.

4.7 Der Umschaltautomat (Transferschalter)

Wenn eine Wechselfrequenz am Eingang AC IN des COMPACT anliegt, blinkt die LED 1 AC IN. Wenn diese Frequenz mit dem mittels dem Drehkopf 23 (Transfer) eingestellten Wert übereinstimmt und die Frequenz zwischen 44Hz und 65Hz liegt, wird diese Frequenz direkt auf den Batterielader und auf die Verbraucher am Ausgang AC OUT geschaltet (LED 1 leuchtet). Die LED 1 (AC IN), LED 7 (TRANSFER) und LED 8 (AC OUT) leuchten. Der Wechselrichter wird aus- und der Batterielader eingeschaltet. Diese Schaltung erfolgt immer automatisch, ausser wenn die Funktion Lader und oder Transfer durch entsprechende Programmierung gesperrt wurde.

Der maximale Strom des Transferschalters beträgt 16A. Das heisst, es können über diesen Schalter Verbraucher bis maximal 3700 Watt betrieben werden. Wenn der Batterielader in Betrieb ist, wird ein Teil dieser Leistung für die Ladung benötigt. Dank dem automatischen System zur Stromaufteilung "Power Sharing" steht aber am Ausgang immer die volle Leistung für die Verbraucher zur Verfügung.

Der Transferschalter ist mit dem 16A Sicherungsautomaten (N) auf der Kabelanschlussseite des COMPACT gegen Überlast geschützt. Sollte dieser Sicherungsautomat ausgelöst haben, ist dieser Zustand durch einen vorstehenden Knopf angezeigt. Durch Eindrücken dieses Knopfes wird der Sicherungsautomat wieder zurückgesetzt.

Bemerkung: Der COMPACT erzeugt im Wechselrichterbetrieb eine reine, sinusförmige und quarzstabile Ausgangsspannung. Wenn aber der COMPACT vom

Netz oder einem Generator gespeist wird und das Transferrelais aktiv ist, liegt am Ausgang AC OUT die am Eingang anliegende Spannung. Diese Spannung kann vom COMPACT nicht beeinflusst werden!

4.7.1 Einstellen der minimalen Transferspannung

Mit dem Trimmer "TRANSFER" (23) KANN DIE GEWÜNSCHTE Eingangsspannungsschwelle von 150 bis 230Vac eingestellt werden. Ab Fabrik ist dieser Trimmer auf ca. 200Vac eingestellt. Dieser Wert ist für die meisten Anwendungen richtig.

Eine Eingangsspannung (ACin) über diesem Wert bewirkt das Durchschalten dieser Spannung an den Ausgang (ACout), stoppt den Wechselrichter und aktiviert den Batterielader. Wenn die Eingangsspannung 20V unter dem eingestellten Wert liegt, wird der Transfer ausgeschaltet und gleichzeitig der Wechselrichter eingeschaltet.

Bemerkung: Mit dem Trimmer "TRANSFER" (23) wird der Schaltpunkt des Transfersystems eingestellt und in keinem Fall die Eingangs- oder die Ausgangsspannung!!!

4.7.2 Schneller Umschaltmodus des Transfersystems

Der schnelle respektive unterbrechungsfreie Umschaltmodus wird mit dem Schiebeschalter (D) "Transfer delay" Off im Kabelanschlussteil programmiert.

Das Ziel des COMPACT ist, für die Verbraucher eine Wechselspannung unterbrechungsfrei zur Verfügung zu stellen. Wenn die Eingangsspannung AC IN nicht mehr den mit dem Drehknopf 23 eingestellten Werten entspricht, schaltet sich sofort der Wechselrichter ein. Die Umschaltung erfolgt in 0.02 Sekunden. Diese schnelle Umschaltung garantiert, dass die unterbrechungsfreie Funktion der meisten Verbraucher sichergestellt ist. Liegt am Eingang AC IN wieder Wechselspannung an, erfolgt erneut die Umschaltung ohne Unterbrechung, und der Wechselrichter wird gestoppt.

4.7.3 Verzögerter Umschaltmodus des Transfersystems

Der verzögerte Umschaltmodus "Transfer Delay ON" wird mit dem Schiebeschalter (D) im Kabelanschlussteil programmiert. Der COMPACT stellt für die Verbraucher unterbrechungsfrei Wechselspannung zur Verfügung. Eine sofortige Umschaltung ist jedoch nicht in jedem Fall sinnvoll oder erwünscht. Zum Beispiel, wenn die Verbraucher mit einem kleinen Notstromgenerator betrieben werden. Eine kurzzeitige Überlastung eines solchen Generators, zum Beispiel beim Start eines Staubsaugers usw., bewirkt einen kurzzeitigen Einbruch der Spannung. Da in solchen Fällen eine Umschaltung auf den Wechselrichter nicht sinnvoll ist, kann der Umschaltautomat mit einer Verzögerung programmiert werden. Wenn der Schiebeschalter (Transfer delay) in der Stellung "On" steht, erfolgt die Umschaltung auf den Wechselrichter mit einer Verzögerung von 5 Sekunden. Fällt die Spannung unter 100Vac erfolgt die Umschaltung ohne Verzögerung! Die Rückschaltung Wechselrichter - AC-IN erfolgt ohne Unterbrechung.

4.8 Der Solarladeregler (Option)

Der COMPACT kann mit einem eingebauten Solarladeregler geliefert werden. Auf den Schraubklemmen SOLAR +/- können für die Ladung der Batterien Solarmodule angeschlossen werden. Der eingebaute Regler ist ein "Shuntregler" für einen maximalen Eingangsstrom von 30A für C 1600-12 und C 2600-24 sowie 20A für C 4000-48. Die Betriebsspannung der anzuschliessenden Solarmodule muss der jeweiligen Betriebsspannung des COMPACT entsprechen.

Am Eingang des Solarladereglers dürfen auf keinen Fall andere Systeme wie zum Beispiel Windgeneratoren usw. angeschlossen werden.

Der Solarladeregler arbeitet vollautomatisch und ist immer in Betrieb (auch wenn die LED 13 "OFF" leuchtet). Sobald Energie von den Solarmodulen geliefert wird, leuchtet die LED 3 SOLAR CHARGE und die Batterien werden geladen. Der Solarladeregler arbeitet immer, auch wenn der Batterielader in Funktion ist. Die Arbeitsweise ist prinzipiell gleich wie die des Batterieladers. Die Funktion ist im Abschnitt Batterielader beschrieben. Die Programmierung und die Einstellungen erfolgen gemäss den selben Bedingungen. Erkundigen Sie sich bei Ihrem, Händler welche Einstellungen für Ihre Batterie vorgenommen werden müssen.

4.9 Der Multifunktionskontakt

Im COMPACT ist ein frei programmierbares Leistungsrelais eingebaut. Der potentialfreie Wechselkontakt dieses Leistungsrelais kann über die Schraubklemmen G "AUX CONTACT" angeschlossen werden.

Mit der Taste 21 "AUXILIARY CONTACT" kann der Kontakt manuell und unabhängig von Programmierung und Betriebszustand ein- bzw. ausgeschaltet werden.

Achtung: wird der Hilfskontakt manuell betätigt ist seine programmierte Funktion inaktiv. LED 6 leuchtet bei manueller Betätigung und LED 5 zeigt den Zustand des Kontaktes.

Das Ein- und das Ausschalten dieses Kontakts kann aber auch frei für jeden Betriebszustand des COMPACT programmiert werden. Seiner Anwendung sind somit fast keine Grenzen gesetzt und bleiben vollständig Ihren Bedürfnissen und Phantasien überlassen.

Beispiele für die Programmierung sind in Kapitel 5.4 beschrieben.

Dieser Kontakt kann zum Beispiel als Alarmkontakt, als Wechselstromausgang 2. Priorität, als Gleichstromausgang, als automatischer Generatorstart, usw. verwendet werden.

In seiner Grundeinstellung ist dieser Kontakt als Alarmkontakt programmiert und wird bei folgenden Zuständen aktiv:

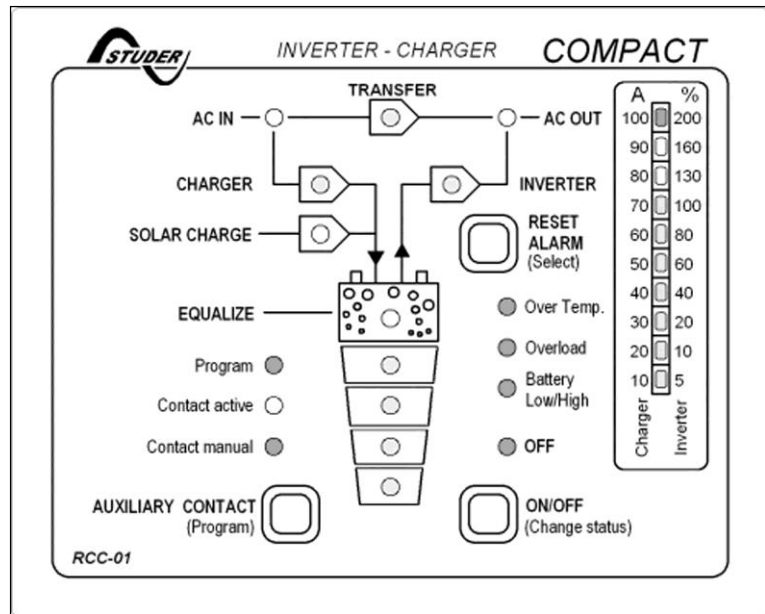
- Übertemperatur (LED 10)
- Überlast (LED 11)
- Unter- oder Überspannung (LED 12)
- OFF (LED 13)

**Maximale Kontaktbelastung: 230Vac / 12Vdc / 24Vdc / 16Amp.
> 36Vdc / 3Amp.**

Das Programmieren des Hilfskontakts ist im Abschnitt Programmierung beschrieben.

4.10 Die Fernsteuerung RCC-01

Als Option kann eine Fernsteuerung am COMPACT angeschlossen werden. Alle Bedienelemente und Anzeigen mit Ausnahme der Pegelinstellungen sind auf dieser Fernsteuerung vorhanden. Die Fernsteuerung ist mit einem 20m langen Kabel versehen. Die Fernsteuerung ist für Aufputzmontage oder für den Einbau in Schalttafeln geeignet. Die Befestigung erfolgt mit 4 Schrauben. Die Programmierung des COMPACT kann auch mit der Fernsteuerung erfolgen. Das



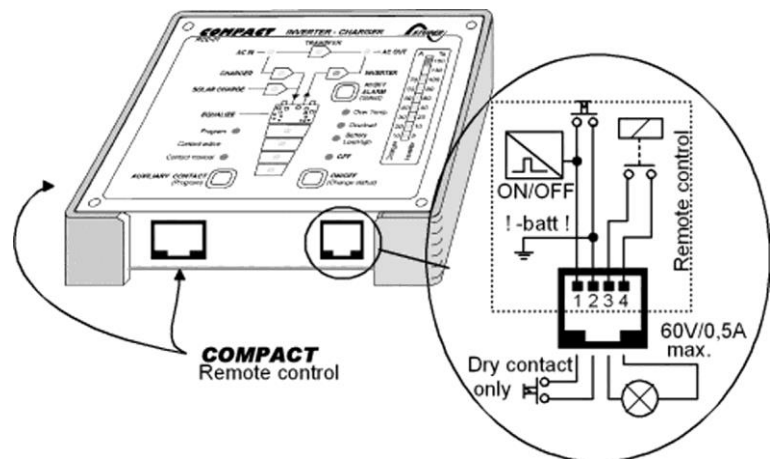
Vorgehen für die Programmierung ist im Abschnitt Programmierung beschrieben.

In der Fernsteuerung sind ein weiterer Hilfskontakt und ein Steuereingang eingebaut. Diese beiden Funktionen stehen über eine Steckbuchse RJ11/4 zur Verfügung.

Der Hilfskontakt ist ein Arbeitskontakt (max. 0.5A!), welcher unabhängig vom Hilfskontakt des COMPACT bei einer Störung der Anlage aktiv ist. Das heisst, es ist ein zusätzlicher Alarmkontakt welcher mit einer oder mehreren der LED 10 - 13 aktiv ist.

Der Steuereingang ist parallel zur ON/OFF- Taste geschaltet. Mit einer Impulstaste oder einem Impulskontakt kann über diesen Eingang der COMPACT ein- bzw. ausgeschaltet werden.

VORSICHT: An diesen Steuereingang darf keine Fremdspannung angelegt werden.



Bestellnummer der Fernsteuerung: RCC-01

Abmessungen: H x B x T / 111.5 x 136.5 x 25mm

4.11 Die Temperatursonde CT-35

Entsprechend der Temperatur ändern sich die Betriebsspannungen der Blei-Säure-Batterien. Um die Betriebsspannungen entsprechend der jeweiligen Temperatur zu korrigieren, kann eine Temperatursonde am Compact angeschlossen werden.

Die Kompensation durch die Sonde beträgt $-3mV/°C/Zelle$.

Bestellnummer: CT-35

Abmessungen: H x B x T / 58 x 51.5 x 22mm



4.12 Fernsteuerung für die autom. Leistungsaufteilung "Power Sharing" RPS-01

Wenn die Fernsteuerung RPS-01 eingesetzt wird, sollte der Trimmer (26) "INPUT LIMIT" auf den maximalen Wert eingestellt werden. Der COMPACT berücksichtigt jeweils den tieferen der auf dem Gerät und der Fernsteuerung eingestellten Werte.

Der am Eingang des COMPACT zur Verfügung stehende Strom wird durch die Leistung der angeschlossenen Stromquelle bestimmt (Generator, Netz usw.). Der Drehknopf auf der Fernsteuerung RPS-01 muss auf höchstens den maximalen Wert der Stromquelle eingestellt werden.

Wird zum Beispiel ein Generator mit 2000 Watt angeschlossen muss der Drehknopf auf höchstens 8,7A eingestellt werden. Diesen Wert erhält man, indem die Leistung von 2000 Watt durch 230V geteilt wird. Wenn der COMPACT an eine Stromquelle angeschlossen wird die zum Beispiel mit einer 6A Sicherung geschützt ist, muss der Drehknopf auf maximal 6A eingestellt werden.

Achtung: Wenn der von den Verbrauchern aufgenommene Strom den der angeschlossenen Quelle übersteigt, ist dessen Begrenzung durch den COMPACT nicht möglich! Das bedeutet, dass der angeschlossene Generator überlastet werden kann oder die dem COMPACT vorgeschaltete Sicherung anspricht.



5 Programmierung

Hinweis: Der COMPACT ist mit einem Flash-Prozessor mit EEPROM-Speicher ausgerüstet; das heisst, auch wenn er von der Batterie getrennt und wieder neu angeschlossen wird bleiben die vorgängig gemachten Einstellungen bestehen. Es ist möglich den COMPACT zu initialisieren (RESET) indem die drei Tasten 19/20/21 während mindestens 2 Sekunden gedrückt werden. Der RESET wird durch einen Signalton bestätigt. Bei diesem Vorgang wird der COMPACT ausgeschaltet. Sofort nach dem ertönen des Signaltones kann das Gerät wieder eingeschaltet werden. Die vorgängig gemachten Einstellungen bleiben bestehen.

5.1 Standardeinstellungen

Der Compact ist ab Fabrik mit folgender Grundeinstellung programmiert:

Hilfskontakt: Aktiv bei Alarm oder manuellem Ausschalten (LED 10/11/12/13)

Batteriespannungen:	Unterspannung	11.6V / 23.2V / 46.4V
	Schwebeladung	13.5V / 27.0V / 54.0V
	Ladeschlussspannung	14.4V / 28.8V / 57.6V
	Egalisierung	15.6V / 31.6V / 62.4V

Absorptionszeit: 2 Stunden

Egalisierungszeit 20 Minuten

5.3.2 Liste der möglichen Spannungsschwellen und Zeiten

LED	Unterspannung			Schwebeladung			Absorption			Egalisierung			Absorp- tionsdauer	Egali- sierungs- dauer
	LED 13			LED 12			LED 11			LED 10			LED 10/11/12/13	LED 10/11
	12	24	48	12	24	48	12	24	48	12	24	48	12/24/48	12/24/48
14	12.0	24.0	48.0	13.7	27.4	54.8	16.2	32.4	64.8	16.2	32.4	64.8	4 St.	3 St.
15	11.8	23.6	47.2	13.6	27.2	54.4	15.6	31.2	62.4	15.9	31.8	63.6	3 St.	2 St.
16	11.6	23.2	46.4	13.5	27.0	54.0	15	30	60	15.6	31.2	62.4	2 St.	1 St.
17	11.4	22.8	45.6	13.4	26.8	53.6	14.4	28.8	57.6	15.3	30.6	61.2	1 St.	40'
18	11.2	22.4	44.8	13.3	26.6	53.2	14.2	28.4	56.8	15	30	60	0 – 1'	20'

Die fettgedruckten Werte entsprechen den Standardeinstellungen.

Nicht geeignete Spannungsschwellen können die Lebensdauer der Batterien stark vermindern oder gar zur Zerstörung der Batterie führen! Informieren Sie sich darum vorher eingehend bei Ihrem Händler.

5.4 Hilfskontakt

5.4.1 Prinzip

Der Hilfskontakt kann grundsätzlich für jeden Betriebszustand programmiert werden. Die Programmierung ist für einen oder mehrere Betriebszustände des COMPACT möglich. Wird der Kontakt für mehrere Zustände programmiert ist er aktiv sobald sich der COMPACT in einem der programmierten Zustände befindet. Das heisst die Arbeit des Kontaktes entspricht einer logischen ODER- Funktion. Als Betriebszustand wird jeweils die einer LED zugeordnete Funktion bezeichnet, zum Beispiel LED 8 (AC OUT).

5.4.2 Die Programmierung des Hilfskontakts

Die Programmierung des Hilfskontakts erfolgt gemäss folgenden Schritten:

- Die Taste 21 (Programm) mind. 2 Sekunden lang drücken. Die LED 4 "Programm" leuchtet als Zeichen, dass sich der COMPACT im Programmmodus befindet. Die für den Hilfskontakt bereits programmierten Zustände blinken.
- Mit der Taste 20 (select) den gewünschten Zustand wählen bei welchem der Kontakt aktiviert werden soll. Nicht erwünschte Zustände müssen mit der Taste 19 (Change Status) gelöscht werden ! Zum Beispiel die vier in der Grundeinstellung aktivierten Zustände (LED 10-13).
- Mit der Taste 19 (Change status) den Zustand bestätigen.
- Um weitere Zustände zu programmieren diesen Vorgang wiederholen.
- Wird während 30 Sekunden keine Taste gedrückt, werden die eingestellten Werte automatisch gespeichert und der COMPACT schaltet in den normalen Betriebszustand zurück.
- Zur Kontrolle der Programmierung muss von neuem die Taste 21 länger als 2 Sekunden gedrückt werden. Die programmierten Zustände werden durch blinkende LED's angezeigt. Nach 30 Sekunden schaltet der COMPACT automatisch wieder in den Betriebsmodus zurück.

5.4.3 Der Hilfskontakt für den Generatorstart

Generatorstart entsprechend der Batteriekapazität

Wenn die Batteriekapazität (LED 15 – 18) für die Programmierung des Hilfskontaktes verwendet werden soll, müssen folgende Bedingungen beachtet werden.

Wenn bei einer bestimmten Restkapazität der Batterie mit dem Hilfskontakt eine Notstromversorgung gestartet werden soll, müssen zwei Batteriekapazitäten programmiert werden. Die erste (z.B. Batterie 50% LED 17) für das Starten resp. Aktivieren des Hilfskontaktes und der zweite (z.B. Batterie 100% LED 15) für den Stop resp. zum deaktivieren des Hilfskontaktes. Bei dieser Programmierung arbeitet der Hilfskontakt mit dem am tiefsten eingestellten Zustand und fällt nach der Ladung beim Erreichen des höheren programmierten Zustandes ab.

Beispiel : Generatorstart mit COMPACT

Für das Programmieren des Hilfskontakts für den Generatorstart bei 25% und Stop bei 75% der Batterie müssen folgende Schritte ausgeführt werden:

- Taste AUX. CONTACT (Program) 21 mind. 2 Sekunden drücken. Danach werden die programmierten Zustände durch blinken angezeigt (Fabrikeinstellung LED 10/11/12/13) Da diese Zustände für den Generatorstart nicht gewünscht sind, müssen sie gelöscht werden.
- Mit der Taste (select) 20 die zu löschenden LED's anwählen (aktive LED's blinken) und mit der Taste Program 19 Change Status ausschalten. Mit der Taste select 20 die nächste zu löschende LED anwählen und mit der Taste 19 Change Status löschen usw. bis alle nicht gewünschten Zustände gelöscht sind.
- Danach mit der Taste select 20 die LED 17 anwählen und mit der Taste 19 Change Status den Kontakt aktivieren. Der Generator wird beim Löschen der LED 17 starten.
- Danach mit der Taste select 20 die LED 16 anwählen und mit der Taste Change Status 19
- den Kontakt aktivieren. Der Generator wird beim Aufleuchten der LED 16 abschalten.
- Wird während 30 Sekunden keine Taste aktiviert geht die Anzeige automatisch in den normalen Betriebszustand zurück.
- Zur Kontrolle kann die Taste Program wieder länger als 2 Sekunden gedrückt werden. Die programmierten Zustände werden durch Blinken angezeigt.

Leistungsabhängiger Generatorstart (mit einigen spez. Ausführungen nicht verfügbar)

Das Schalten des Hilfskontaktes und somit das Starten des Generators kann auch auf eine vorbestimmte Ausgangsleistung des Wechselrichters programmiert werden. Es besteht die Möglichkeit den Hilfskontakt zu aktivieren, wenn die Ausgangsleistung des Wechselrichters 80% der Nominalleistung während 3 Minuten überschreitet und/oder 100% während 30 Sekunden. Der Hilfskontakt bleibt solange aktiv bis der Eingangsstrom während 30 Minuten unter dem für den "Input Limit" (4.6.4) eingestellten Strom liegt (Das heisst der Generator schaltet aus wenn während 30 Min. die LED 200% nicht mehr leuchtet). Das Programmieren erfolgt gemäss der Beschreibung " 5.4 Hilfskontakt". Im Programmiermodus wird diese Funktion auf dem "Power Monitor" (25) mit der LED 100% angezeigt.

5.4.4 Der Hilfskontakt als Dämmerungsschalter (Nur bei COMPACT mit Solarladeregler)

Der Hilfskontakt des COMPACT kann auch als Dämmerungsschalter, zum Beispiel für den automatischen Betrieb einer Aussenbeleuchtung verwendet werden. Dabei messen die angeschlossenen Solarmodule die Helligkeit. Wird der COMPACT ohne Solarmodule betrieben und ist trotzdem die Funktion des Dämmerungsschalters

erwünscht, können für die Messung der Helligkeit kleine Solarzellen mit der Nominalspannung des COMPACT an den Klemmen SOLAR angeschlossen werden. Für die Funktion als Dämmerungsschalter muss der Hilfskontakt so programmiert werden, dass er mit dem Zustand SOLAR CHARGE (LED 3) aktiv ist. Die Programmierung erfolgt mit den Schritten gemäss der Beschreibung zur Programmierung des Hilfskontakts.

5.4.5 Der Hilfskontakt für Verbraucher 2. Priorität

Oft ist es sinnvoll, dass Verbraucher mit grosser Leistung oder minderer Priorität nicht oder nur teilweise über den Wechselrichter (Batterie!) betrieben werden. Solche Verbraucher werden am besten mit dem Hilfskontakt zu- resp. abgeschaltet.

Soll zum Beispiel ein Verbraucher nur betrieben werden, wenn das Netz vorhanden ist oder der Generator läuft, muss der Hilfskontakt auf den Zustand des Transfersystems (LED 7) programmiert werden. Es ist auch möglich, dass solche Verbraucher bei Netz- oder Generatorbetrieb und bei mindestens halbvoller Batterie funktionieren sollen. Dafür muss der Hilfskontakt auf den Zustand des Transfersystems (LED 7) und auf die Batteriezustandsanzeige z.B. LED 15+16 programmiert werden.

Der Hilfskontakt ist für einen maximalen Strom von 16A (3600VA) ausgelegt. Grössere Verbraucher können über einen entsprechenden Leistungsschutz betrieben werden welcher vom Hilfskontakt gesteuert wird.

5.4.6 Manuelle Betätigung des Hilfskontakts

Der Hilfskontakt kann jederzeit mit der Taste 21 (AUX. CONTACT) betätigt werden. Die LED 6 "Contact manual" leuchtet als Information, dass der Kontakt manuell betätigt wurde, und LED 5 "Contact active" leuchtet, wenn der Kontakt aktiv ist. Mit einem zweiten Tastendruck wird der Kontakt deaktiviert. Mit dem dritten Tastendruck wird die automatische Funktion des Kontakts wiederhergestellt.

5.5 Sperren von Funktionen

Im COMPACT können die Funktionen Lader, Wechselrichter oder Transfer (bypass) durch Programmierung gesperrt werden. Für Standardanwendungen sind solche Sperrungen nicht nötig. Es gibt aber Anwendungen wofür solche Sperrungen sinnvoll sind.

Das Programmieren solcher Sperrungen wird gemäss folgendem Ablauf ausgeführt: Taste 19 (change status) und 20 (select) mind. 2 Sekunden lang drücken – Einstieg in den Programmmodus für Sperrungen.




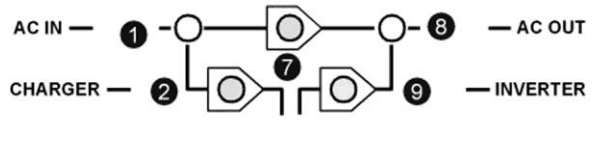
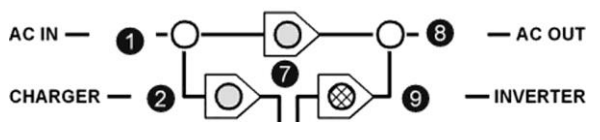
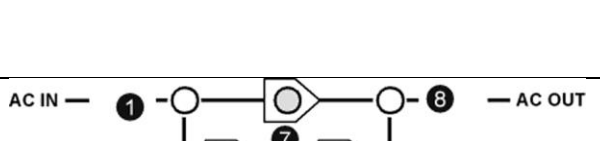
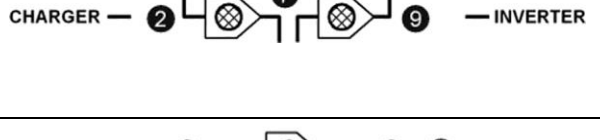
In diesem Programmmodus leuchten die LED's der nicht gesperrten Funktionen und die LED's der gesperrten Funktionen blinken. Die Funktionen deren Sperrungen programmiert werden können sind: Lader (LED 2), Transfer (LED 7) und Wechselrichter (LED 9).

Durch kurzes Drücken der Taste 20 (Select) wird jeweils auf den nächsten möglichen Sperrzustand weiter geschaltet bis die LED's der gewünschten zu sperrenden Funktionen blinken.

10 Sekunden nach dem letzten Tastendruck werden automatisch die so eingestellten Zustände übernommen und die Anzeige des COMPACT schaltet in den normalen Betriebsmodus zurück.

Im normalen Betriebsmodus werden die gesperrten Funktionen durch Blinken der jeweiligen LED angezeigt.

5.5.1 Anzeige der verschiedenen Sperrzustände

	 LED gelöscht  LED blinkt  LED leuchtet
	Standard Einstellung, keine Funktion ist gesperrt
	Die Wechselrichter-Funktion ist gesperrt. Transfer und Batterielader arbeiten normal. Bei Stromunterbrechung am Eingang wird sich der Wechselrichter nicht einschalten (verhindert die Entladung der Batterie bei langen Unterbrechungen)
	Die Wechselrichter- und die Lader-Funktionen sind gesperrt. Nur das Transfersystem ist aktiv vorausgesetzt die Eingangsspannung und die Frequenz sind korrekt
	Die Batterielader und die Transfersystem Funktionen sind gesperrt. Nur der Wechselrichter ist aktiv

6 Wartung

Ausser der erwähnten periodischen Kontrolle der Anschlüsse benötigt der COMPACT keine Wartung. Halten Sie das Gerät sauber und wischen Sie es mit einem feuchten Lappen von Zeit zu Zeit ab.

7 EU-Konformitätserklärung

Hiermit erklären wir, dass die in dieser Anleitung beschriebenen Produkte den folgenden Normen entsprechen:

Niederspannungsrichtlinie 2014/35/EU- EN 50178:1997

Elektromagnetische Verträglichkeit (EMV-) Richtlinie 2014/30/EU

- EN 62040-2:2006 - EN 61000-3-2:2014 - EN 61000-3-12:2011

CH-1950 Sion, Mai 2016

STUDER INNOTECH (R. Studer)



8 Technische Daten

Modell	C 1600-12	C 2600-24	C 4000-48
Wechselrichter			
Nominalspannung der Batterie	12 Vdc	24 Vdc	48 Vdc
Eingangsspannungsbereich	9.5 - 16 Vdc	19 - 32 Vdc	38 - 60 Vdc
Dauerleistung bei 25°C	1300 VA	2300 VA	3500 VA
Leistung 30 Min. bei 25°C	1600 VA	2600 VA	4000 VA
Leistung 5 Sek. bei 25°C	3 x Pnom		
Maximale Last	Bis Kurzschluss		
Asymmetrische Last	Bis Dauerleistung		
Lasterkennung einstellbar (Stand-by)	1 à 25 W		
Cos φ	0.1 - 1		
Wirkungsgrad max.	94 %	95 %	
Eigenverbrauch OFF/Stand-by/ON [W]	0.5 / 0.6 / 6	0.8 / 0.9 / 9	1.2 / 1.4 / 12
Ausgangsspannung	Sinus 230 Vac (± 5 %) XPC auch als Version 120 Vac zur Verfügung)		
Ausgangsfrequenz	50 Hz ±0.05 % (quarzgesteuert)		
Max. Verzerrung	< 2 %		
Überlast- und Kurzschlusschutz	Automatischer Stop nach 3 Versuchen		
Übertemperaturschutz	Akustische Warnung vor Stop - autom. Restart		
Batterielader (4 Stufen) I-U-Uo-Gasung (je 25 Zyklen)			
Effektiver Ladestrom einstellbar	0 - 55 Adc		0 - 50 Adc
Einstellbare Leistungsaufteilung	Nicht verfügbar		
Maximale Eingangsspannung	265 Vac		
Eingangsspannungsbereich (AC)	Einstellbar von 150 bis 230 Vac		
Frequenzbereich	45 - 65 Hz		
Leistungsfaktorkorrektur (PFC)	EN 61000-3-2		
Batterieüberwachung (Werte frei programmierbar)			
Absorptionsladedauer	0 - 4 h		
Ladeschlussspannung*	14.4 Vdc	28.8 Vdc	57.6 Vdc
Schwebeladung*	13.6 Vdc	27.2 Vdc	54.4 Vdc
Ausgleichsdauer*	0 - 4 h		
Ausgleichsspannung*	15.6 Vdc	31.2 Vdc	62.4 Vdc
Entladeschlussspannung*	10.8 Vdc	21.6 Vdc	43.2 Vdc
Temperaturekompensation (CT-35)	-3mV / ° C / Zelle		
Allgemeine Daten			
Multifunktions-Wechselkontakt	16 A - 250 Vac (Potentialfreier Wechselkontakt)		
Max. Strom über Transfersystem	16 Aac		
Umschaltzeit	< 40 ms		
Gewicht	16 kg	17.1 kg	29.4 kg
Abmessungen [mm]	124 / 215 / 480		124 / 215 / 670
Schutzart	IP20 (IP 22 mit C-IP22 Abdeckung)		
Zertifikat ECE-R 10 (E24)	•	•	Nicht verfügbar
EU-Konformitätserklärung	Niederspannungsrichtlinie 2014/35/EU: - EN 50178:1997 Elektromagnetische Verträglichkeit (EMV-) Richtlinie 2014/30/EU: - EN 62040-2:2006 - EN 61000-3-2:2014 - EN 61000-3-12:2011		
Betriebstemperatur	-20 bis 55 °C		
Relative Luftfeuchtigkeit bei Betrieb	95 % nicht kondensierend		
Ventilation	Ab 45 °C		
Geräuschpegel	< 40 dB / < 45 dB (ohne / mit Lüftung)		
Garantie	5 Jahre		
ISO Zertifizierung	9001:2008 / 14001:2004		
Option Solarladeregler (4 Stufen) I-U-Uo-Gasung (je 25 Zyklen)			
Maximale Leerlaufspannung (PV Generator) (Uoc)	25 Vdc	45 Vdc	90 Vdc
Maximaler Ladestrom (Isc)	30 Adc	30 Adc	20 Adc
Ladekurve - Funktionsprinzip	I-U-Uo-Egalisierung (je 25 Zyklen)		
Zubehör			
Fernsteuerung und Anzeige RCC-01	•		
Batterietemperaturfühler CT-35	•		
Hilfsrelaismodul ARM-01	•		
Abdeckung CFC-01, Abdeckung C-IP22	•		

Änderungen vorbehalten

Instructions en français

1 Informations générales

1.1 Manuel d'utilisation

Ce manuel fait partie intégrante de chaque onduleur/chargeur COMPACT.

Pour plus de clarté dans le présent manuel, l'appareil est nommé COMPACT lorsque la description de fonctionnement s'applique indifféremment aux différents modèles COMPACT.

Ce manuel d'utilisation sert de directive pour une exploitation sûre et efficace du COMPACT. Il est valable uniquement pour les appareils mentionnés ci-dessous :

COMPACT C 1600-12

COMPACT C 2600-24

COMPACT C 4000-48

Sonde de température CT-35

Télécommande Power Sharing RPS-01

Télécommande RCC 01

Capot pour câbles AC in/out CFC-01

Régulateur de charge solaire C xxxx-S

Capot IP22 C-IP22

Toute personne qui installe ou utilise un COMPACT peut se fier totalement à ce manuel d'utilisation, et est tenu d'observer toutes les consignes et les indications de sécurité qui y figurent. L'installation et la mise en service du COMPACT doivent être confiées à un personnel qualifié. L'installation et l'usage doivent être conformes aux consignes de sécurité locales et aux normes en vigueur dans le pays concerné.

1.2 Qualité et garantie

Durant la production et l'assemblage du COMPACT, chaque appareil subit plusieurs contrôles et tests. Ceux-ci sont faits dans le strict respect des procédures établies. Chaque COMPACT est muni d'un numéro de série permettant un parfait suivi des contrôles éventuels conformément aux données particulières de chaque appareil. Pour cette raison, il est très important de ne jamais enlever la plaque signalétique portant le numéro de série. La fabrication, le montage et les tests de chaque COMPACT sont entièrement réalisés par notre usine de Sion (CH). La garantie de cet appareil est conditionnée par la stricte application des instructions figurant dans le présent manuel.

La durée de garantie pour le COMPACT est de 5 ans.

1.3 Exclusion de garantie

Aucune prestation de garantie ne sera accordée pour des dégâts consécutifs à des manipulations, une exploitation ou des traitements ne figurant pas explicitement dans le présent manuel. Sont notamment exclus de la garantie les dégâts consécutifs aux événements suivants :

- Une surtension sur l'entrée batterie, (par exemple 48V sur l'entrée batterie d'un C 1600-12)
- L'inversion de polarité de la batterie
- La présence accidentelle de liquides dans l'appareil ou une oxydation consécutive à la condensation
- Les défauts consécutifs à des chutes ou à des chocs mécaniques
- Des modifications réalisées sans l'autorisation explicite de STUDER INNOTECH
- Des écrous partiellement ou insuffisamment serrés après un changement de fusibles ou un remplacement des câbles de batterie

- Des dommages dus à une surtension atmosphérique (foudre)
- Les dégâts dus au transport suite à un emballage incorrect

1.4 Exclusion de la responsabilité

La pose, la mise en fonction, l'utilisation, la maintenance et le service du COMPACT ne peuvent pas faire l'objet d'une surveillance par la société STUDER INNOTECH. Pour cette raison, nous déclinons toute responsabilité pour les dommages, les coûts ou les pertes résultant d'une installation non conforme aux prescriptions, d'un fonctionnement défectueux, ou d'un entretien déficient. L'utilisation des onduleurs STUDER INNOTECH relève dans tous les cas de la responsabilité du client.

Cet appareil n'est ni conçu ni garanti pour l'alimentation d'installations destinées à des soins vitaux, ou de toute autre installation critique comportant des risques potentiels de dégâts importants pour l'homme ou pour l'environnement.

Nous n'assumons aucune responsabilité pour les violations de droits de brevets ou d'autres droits de tiers résultant de l'utilisation de l'onduleur.

STUDER INNOTECH se réserve le droit de toute modification sur le produit sans communication préalable.

1.5 Avertissements

Le présent manuel fait partie intégrante de l'appareil et doit être tenu à la disposition de l'utilisateur et de l'installateur. L'utilisateur doit parfaitement connaître les mesures de précaution et les prescriptions en vigueur dans le pays. Lorsque le COMPACT est en service, il peut générer des tensions pouvant être fatales à la vie. Le travail sur ou à proximité de l'installation ne doit être réalisé que par un personnel parfaitement formé et qualifié.

Tous les éléments raccordés sur le COMPACT doivent être conformes aux lois et règlements en vigueur.

Les personnes ne disposant pas d'une autorisation écrite de STUDER INNOTECH ont l'interdiction de procéder à quelque changement, modification ou réparation que se soit. Pour les modifications ou remplacements autorisés, seuls des composants originaux doivent être utilisés. Seules les batteries au plomb à acide liquide ou les batteries au plomb avec gel conviennent au bon usage du COMPACT.

Attention: même lorsque le COMPACT a été déconnecté il peut subsister aux points de sortie une source de tensions mortelles Pour les éliminer vous devez mettre le COMPACT sur ON à l'aide du bouton ON/OFF. Après une minute l'électronique est déchargée et l'intervention peut se faire sans danger.

Le COMPACT n'est conçu que pour une utilisation en intérieur et ne doit en aucune circonstance être soumis à la pluie, la neige ou toute autre condition humide.

En cas d'utilisation dans des véhicules motorisés le COMPACT doit être protégé de la projection d'eau et de toute autre condition humide.

Prudence ! Les batteries au plomb à électrolyte liquide ou gel produisent un gaz hautement explosif lors d'une exploitation normale. Aucune source d'étincelles ou de feu ne doit être présente dans l'environnement immédiat des batteries. Les batteries doivent être logées dans un espace bien aéré et montées de manière à éviter les courts-circuits accidentels lors du branchement.

Ne jamais essayer de charger des batteries congelées.

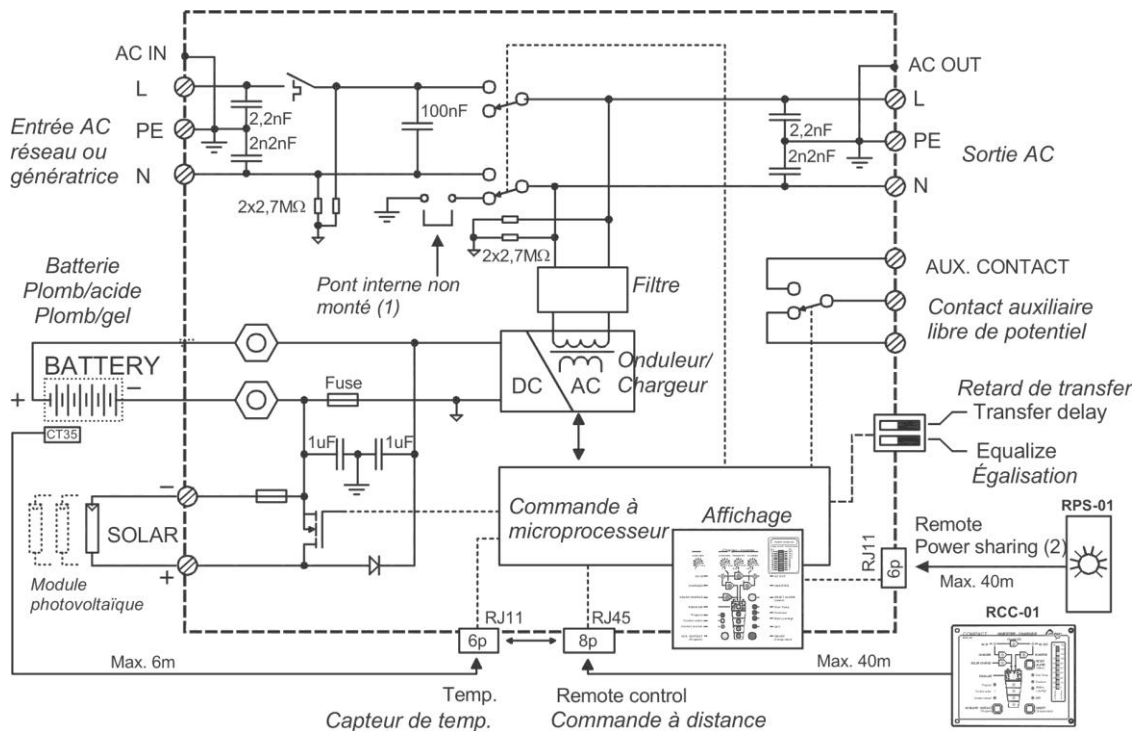
1.6 Mesures de protection particulière

- Lors de travaux avec des batteries, la présence d'une seconde personne est requise de manière à prêter assistance en cas de problème.
- Il doit être gardé à portée de main suffisamment d'eau fraîche et de savon afin de permettre un lavage suffisant et immédiat de la peau ou des yeux entrés accidentellement au contact avec l'acide.
- En cas de contact accidentel de l'acide avec les yeux, ceux-ci doivent être soigneusement lavés pendant 15 minutes au moins avec de l'eau froide. Il est ensuite nécessaire de consulter immédiatement un médecin.
- L'acide de batterie peut être neutralisé avec de la levure en poudre. Une quantité suffisante de levure en poudre devra être tenue à disposition à cet effet.
- Lors de travaux avec des outils métalliques à proximité des batteries, une prudence particulière est requise. Les outils tels que tournevis, clés à fourche etc.... peuvent provoquer des courts-circuits. Les étincelles consécutives à ces courts-circuits peuvent provoquer l'explosion de la batterie.
- Lors du travail avec des batteries, tous les objets personnels en métal tels que les bagues, les montres à bracelet métallique, les boucles d'oreille etc. doivent être enlevés. Le courant fourni par les batteries en court-circuit est suffisamment puissant pour faire fondre le métal et causer de sévères brûlures.
- En tous les cas, suivre attentivement les consignes et prescriptions du fabricant de batteries.
- Le COMPACT, ou le générateur qui y est connecté, peut démarrer automatiquement sous certaines conditions prédéterminées. Lors de travaux sur l'installation électrique, il est impératif de s'assurer que ces appareils ont été déconnectés de l'installation électrique.

2 Introduction

Le COMPACT est un onduleur sinusoïdal avec chargeur de batterie. Il a été développé pour être utilisé comme installation en îlot pour la fourniture de courant AC (pas d'injection dans le réseau) ou comme alimentation sans coupure (UPS).

2.1 Schéma de principe



Notes :

(1) **Le neutre de l'appareil n'est pas relié à la terre** quel que soit le mode de fonctionnement de l'appareil. Si nécessaire, et sous réserve de conformité avec les normes locales en vigueur, une commutation automatique terre neutre peut être réalisée par l'installation d'un pont à l'intérieur de l'onduleur. Veuillez contacter votre installateur à ce sujet.

(2) Commande à distance pour le réglage de la limitation d'entrée (voir chap. 4.6.3)

2.2 Description des fonctions principales

2.2.1 L'onduleur

L'onduleur du COMPACT produit un courant de sortie d'une grande précision, parfaitement sinusoïdal et de fréquence stable. Afin de pouvoir démarrer de grandes charges telles que les moteurs électriques ou les compresseurs, le COMPACT est dimensionné de manière à supporter des charges jusqu'à 3 fois la puissance nominale.

L'onduleur est protégé contre les surcharges et les courts-circuits. Un étage de puissance à commutateur MOSFET, un transformateur toroïdal et un système de réglage ultra rapide rendent cet ensemble robuste et fiable avec un rendement optimal. Le système de détection de charge particulièrement précis est réglable de 1 à 20 watts, il permet la mise en veille de l'onduleur lorsque aucun consommateur n'est utilisé.

2.2.2 Le relais de transfert

Le COMPACT peut être raccordé à une source de tension alternative telle que génératrice ou réseau public. Lorsque le relais de transfert est activé, la tension présente à l'entrée du COMPACT est disponible sur la sortie pour les consommateurs connectés. Dans le même temps le chargeur de batteries est mis en fonction. Le partage d'énergie entre consommateur et chargeur de batteries est réglé automatiquement.

2.2.3 Le chargeur de batterie

Le chargeur de batterie est conçu de manière à garantir une charge aussi complète que possible des batteries. Le processus de charge à quatre niveaux géré par microprocesseur garantit une charge optimale des batteries. Le courant de charge peut être réglé en continu de 0 à 50/55 ampères selon le modèle, Le réglage doit se faire en fonction de la capacité de la batterie ou de la puissance à disposition. Ce chargeur de batterie est conçu pour des batteries au plomb à électrolyte liquide ou au plomb à électrolyte gel. Grâce au régulateur de charge flottante, la batterie peut rester connectée en continu sur le chargeur.

2.2.4 Le régulateur de charge solaire (en option)

Grâce au régulateur de charge solaire intégré, le COMPACT devient une véritable centrale solaire complète. Dans le cas d'une installation solaire, ce régulateur pourvoit à une charge correcte des batteries. Avec le COMPACT, les batteries peuvent donc être chargées simultanément par un générateur ou une source alternative externe et des modules solaires. La charge des batteries avec les deux sources d'énergie est réglée de manière automatique.

2.2.5 La télécommande en option

En option, une télécommande peut être raccordée au COMPACT. Tous les éléments de commande à l'exception des boutons de réglage (22/23/24/26) sont disponibles sur la télécommande. Celle-ci est livrée avec un câble de 20 mètres. Il peut être rallongé jusqu'à une longueur de 40 mètres. La puissance en sortie et le courant de charge sont aussi affichés sur la télécommande.

2.2.6 Réglage du power sharing à distance (en option)

Le réglage du répartiteur de courant d'entrée peut être déporté sur une commande à distance RPS-01 livré avec un câble de 20 m. Cette longueur peut être portée à 40 m au maximum.

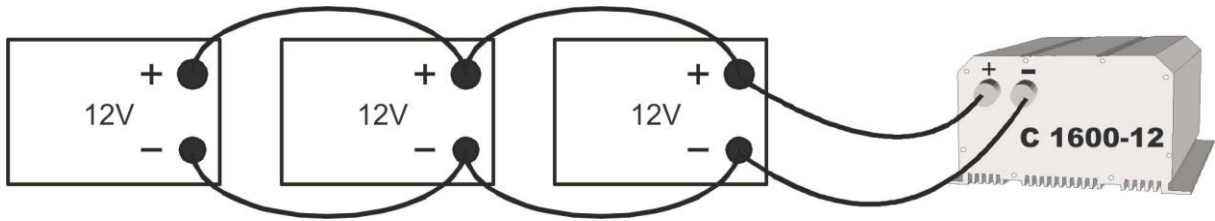
2.3 Câblage de la batterie

Habituellement les batteries au plomb sont disponibles sous forme de blocs de 2V, 6V ou 12V. Dans la plupart des cas, afin d'obtenir une tension d'exploitation correcte pour l'usage du COMPACT, plusieurs batteries doivent être connectées en série ou en parallèle selon les cas.

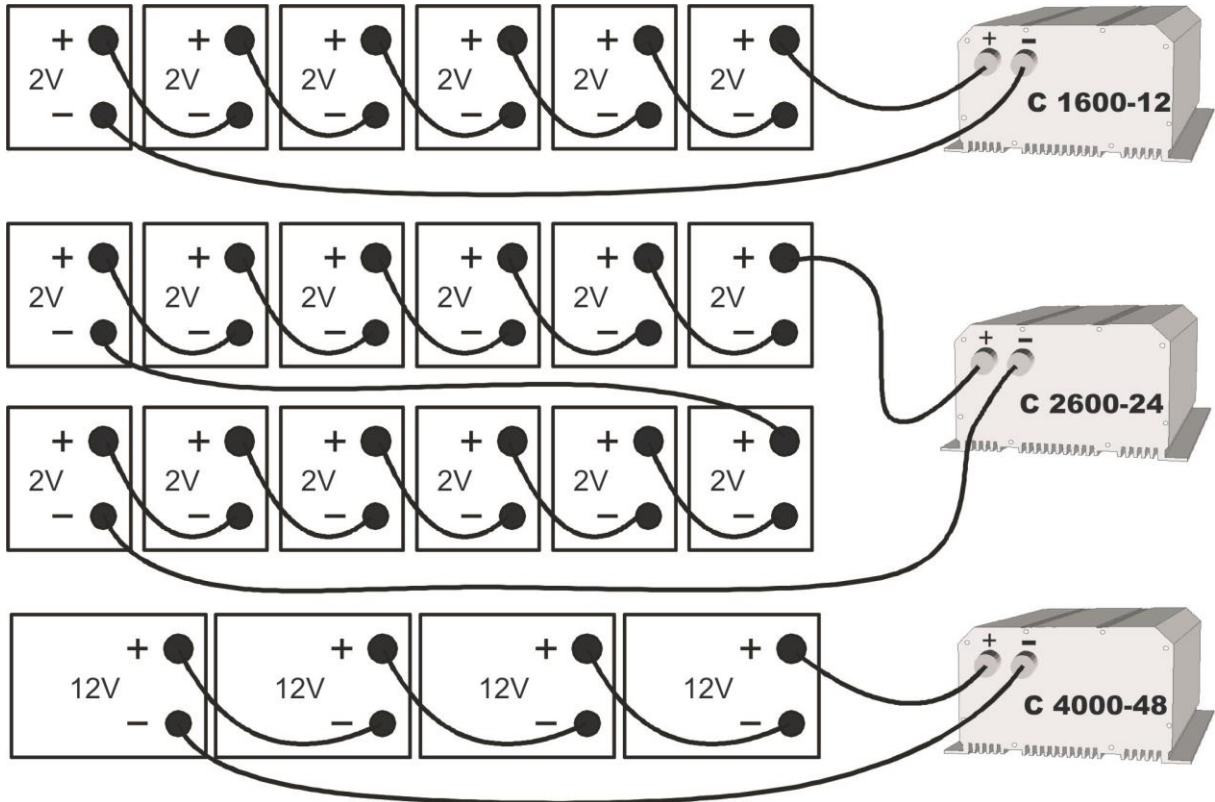
Les 3 cas de figures possibles sont présentés dans les exemples ci-après.

D'autres configurations que celles mentionnées ci-dessous sont possibles pour autant qu'elles respectent la tension de l'appareil.

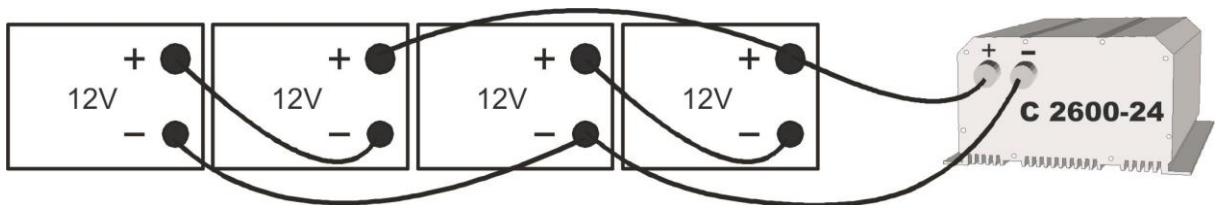
2.3.1 Raccordement en parallèle



2.3.2 Raccordement en série



2.3.3 Raccordement en série et en parallèle



3 Montage et installation

3.1 Lieu de montage

Le lieu du montage du COMPACT est important et doit satisfaire aux critères suivants :

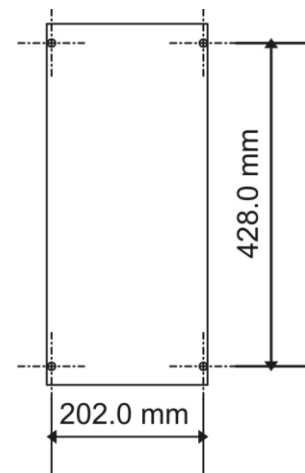
- A l'abri de toute personne non autorisée
- A l'abri de l'eau et de la poussière et dans un lieu sans condensation
- Il ne doit pas être situé directement au-dessus de la batterie ou dans une armoire avec celle-ci
- Les ouvertures de ventilation doivent rester en permanence dégagées
- Dans des applications mobiles il est important de tenir les vibrations au niveau le plus bas possible

3.2 Fixation

3.2.1 Fixation du COMPACT

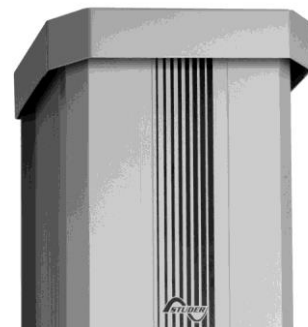
De manière générale le COMPACT peut être installé dans n'importe quelle position. Le COMPACT est fixé contre le mur à l'aide de 4 vis adaptées aux trous d'un diamètre de 5.5 situées de part et d'autre de l'appareil. Afin de garantir un refroidissement correct, le COMPACT doit être monté directement sur une surface plane non ajourée. Dans les véhicules à moteur le compact devrait être monté sur une plaque montée sur des éléments anti-vibration.

Le COMPACT ne doit pas être monté sur un support combustible, la partie arrière du boîtier pouvant atteindre une température de 80° C.



3.2.2 Capot de protection IP-22 (Option)

Le capot de protection IP 22 (Réf. de commande CIP-22) est installé après fixation de l'appareil ou peut facilement être rajouté ultérieurement. Pour ce faire, il suffit de desserrer légèrement les deux vis de fixation du bas de l'appareil et dévisser un peu plus les deux vis de fixation du haut du COMPACT de manière à permettre le glissement du Capot IP entre l'appareil et la paroi de montage. Glisser ensuite le capot jusqu'à butée sur les vis de fixation. Resserrer ensuite complètement les quatre vis.



3.3 Raccordements

3.3.1 Recommandations générales de raccordement

- Le serrage des bornes d'entrée AC INPUT / AC OUTPUT et AUX RELAY doit être réalisé avec un tournevis N°1 et celui des bornes d'entrées « SOLAR » avec un tournevis N° 2.
- La section de câble sur les bornes. AC INPUT / AC OUTPUT et AUX RELAY doit être de 2,5 mm².
- Tous les câbles de raccordement, ainsi que les câbles de batterie doivent être montés avec des retenues de câble de manière à éviter toute traction sur la connexion.

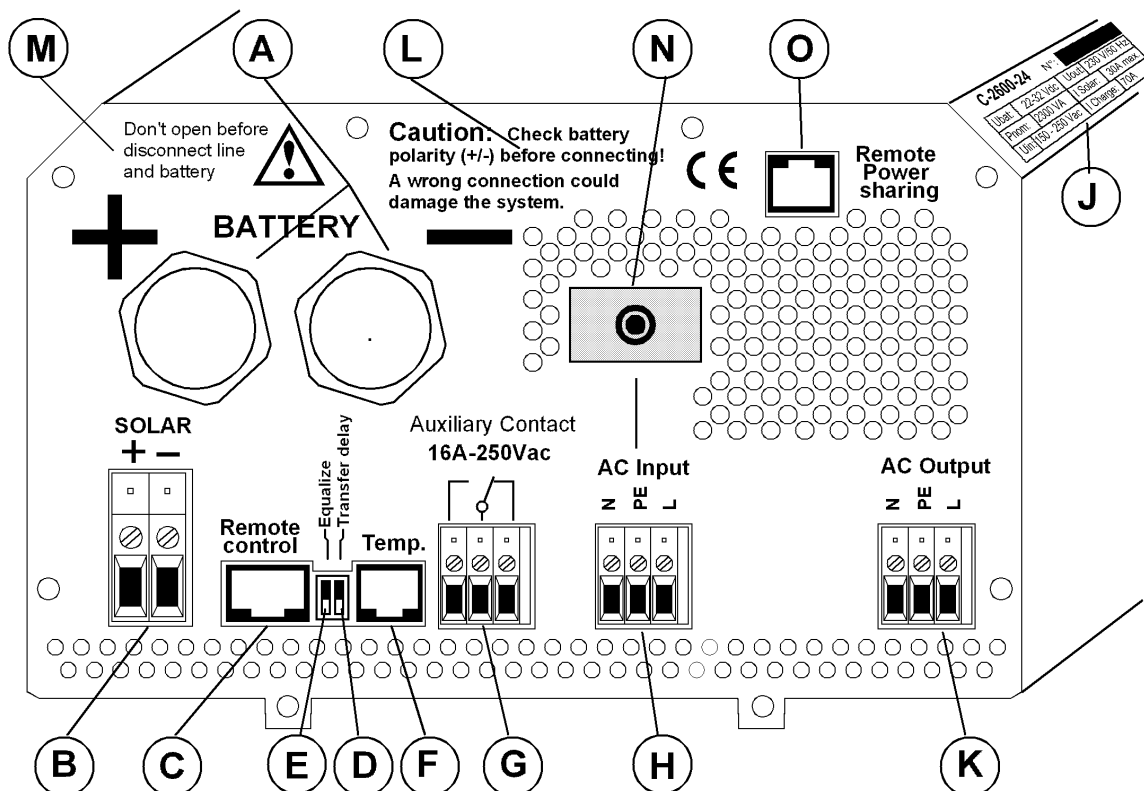
- DE manière générale les câbles de batteries ne devraient pas être rallongés. Si toutefois cela s'avérait nécessaire la section du conducteur doit être augmentée en conséquence (pour un doublement de la longueur, doubler la section utilisée).
- **Afin de protéger les câbles de batterie, il est nécessaire d'installer un fusible adapté à la section du câble, aussi proche que possible de la batterie.**
- Tous les câbles doivent être soigneusement vissés. Par sécurité, nous recommandons un contrôle annuel. Sur des installations mobiles, le bon serrage des connexions devrait être contrôlé plus souvent.
- Le câblage et raccordement de l'installation doit être effectué exclusivement par du personnel parfaitement qualifié. Le matériel d'installation tel les câbles, les connecteurs, les boîtes de distributions, fusibles etc. doit être adapté et conforme aux lois et règlements en vigueur.

3.3.2 Capot de protection pour bornes de sorties CFC-01 (option)

Un capot de protection avec passe câble est disponible en option (Réf. N° CFC-01). Il empêche tout contact accidentel sur les bornes Ac out (230 Vac).



3.4 Coffret de raccordement



- | | | |
|---|-----------------|--|
| A | Battery + / - | Câbles de batterie, (déjà montés) |
| B | SOLAIRE + / - | Bornes connexion pour les modules solaires (Option chargeur solaire) |
| C | Remote control | Connecteur pour la télécommande RCC-01 |
| D | Transfert delay | Selecteur coulissant pour retard du transfert à l'ouverture |

E Equalize	Selecteur coulissant pour l'égalisation de la batterie
F Temp.	Connecteur pour la sonde de température CT-35
G Aux. Contact	Bornes de connexion pour le contact auxiliaire
H AC INPUT	Bornes connexion pour l'entrée de la tension AC. Le disjoncteur de protection de l'entrée (N) se trouve directement en dessus.
J Plaque signalétique	Etiquette sur laquelle figure le type, le N° de série ainsi que les données principales de l'appareil
K AC Output	Bornes connexion pour la sortie de la tension AC
L Caution...	Notice d'avertissement : Vérifiez attentivement la polarité (+/-) de la batterie avant le raccordement. Une erreur de polarité peut gravement endommager l'appareil.
M Don't...	Notice d'avertissement : L'appareil ne doit pas être ouvert avant déconnexion complète de tous les raccordements.
N Disjoncteur 16A	Disjoncteur 16A pour la protection du relais de transfert
O Remot Power Sharing	Répartition du courant d'entrée

3.5 Câblage

Le raccordement de l'onduleur / chargeur COMPACT est une étape importante de l'installation. Veillez consciencieusement à ce que chaque branchement soit soigneusement serré et que chaque fil soit raccordé au bon endroit. Le branchement du COMPACT doit être réalisé dans l'ordre mentionné ci-dessous. **Un démontage éventuel sera réalisé dans l'ordre inverse.**

3.6 Préparation au câblage

Avant de commencer le câblage du COMPACT, il est nécessaire de sélectionner le type de batterie. Lors de l'utilisation de batterie au plomb/gel, le petit interrupteur à glissière marqué « Equalize » (E) doit être mis en position off (en direction du bas de l'appareil). Si des batteries plomb / électrolyte liquide sont utilisées, le même interrupteur à glissière peut être mis en position ON. Ceci permettra un cycle d'égalisation (tension de fin de charge plus élevée) lors du prochain cycle de charge. Dès lors, ce cycle d'égalisation se reproduira chaque 25 cycles de charge usuels. En cas de doute, l'interrupteur coulissant doit être laissé sur la position OFF.

3.6.1 Le branchement de la batterie

Préparez les batteries pour le branchement : Cosses de batterie adaptées, fusible adéquat sur une des deux bornes, câble en bon état avec, si nécessaire, des cosses correctement serties. Fixer le câble rouge sur le pôle positif (+) et le câble noir sur le pôle négatif (-) de la batterie. Lors du branchement du deuxième câble, une étincelle due à la charge des capacités de l'étage d'entrée apparaît de façon tout à fait normale. Dans le même temps, un signal acoustique signale le démarrage du processeur de contrôle. Tous les indicateurs lumineux (LED) du synoptique s'allument un bref instant puis le synoptique indique que l'appareil est arrêté. La LED « OFF » (13) doit être allumée.

Après branchement de la batterie, l'indicateur d'état de charge de la batterie indique une capacité de 100% durant 1 à 2 minutes, le temps pour le processeur de recalculer l'état de charge actuel de la batterie.

Si la LED « Battery Low/High » (12) est allumée, la tension de batterie est trop basse. Si la LED « Battery Low/High » clignote, la tension de batterie est trop haute. Attention ! Une tension de batterie trop haute et inappropriée peut gravement endommager le COMPACT. Par exemple installation d'une batterie 24V sur le COMPACT C 1600-12.

Si par accident, le COMPACT a été raccordé à l'envers, (inversion de la polarité de la batterie) il est fort probable que le fusible de protection à l'intérieur de l'appareil soit fondu et doit être remplacé. Si tel est le cas, il est nécessaire de déconnecter tous les raccordements au COMPACT y compris la batterie. Si après remplacement du fusible le COMPACT, s'avère encore non fonctionnel après reconnections de la batterie avec une polarité correcte, il doit être renvoyé en usine pour réparation.

3.6.2 Raccordement des consommateurs sur la sortie 230 Vac (AC Output)

Les consommateurs 230V doivent être connectés sur les bornes de raccordement « AC OUT » avec des fils d'une section à déterminer selon les normes. Les bornes sont marquées de la manière suivante : N = neutre, PE = terre (raccordé au boîtier de l'appareil), L = phase.

Attention : de hautes tensions peuvent être présentes sur ces bornes de raccordement. Assurez-vous que l'onduleur est hors fonction (LED 13 allumée) avant de procéder au raccordement.

3.6.3 Branchement de l'entrée 230Vac (AC INPUT)

Les sources de courant AC telles que le réseau ou la génératrice doivent être raccordées sur les bornes d'entrée marquées « AC INPUT » avec des fils d'une section dépendante de la puissance de la source. Les bornes sont marquées de la manière suivante : N = neutre, L = phase, PE = terre (raccordé au boîtier de l'appareil).

3.6.4 Le branchement des modules solaires « SOLAR + / - » (Seulement pour l'option solaire)

Les modules solaires sont connectés directement sur les bornes d'entrées « SOLAR +/- ».

« Aucune source de courant autre que des générateurs solaires ne doit être raccordée sur les bornes d'entrée « SOLAR +/- »

Les sections de câbles utilisées pour le raccordement du panneau solaire peuvent varier de 2.5 à 6mm² en fonction du courant max. du champ de panneaux solaires. Avant raccordement la tension à vide et la polarité du panneau solaire doivent être vérifiées avec un voltmètre. La tension à vide et le courant max. du champ de panneau solaire doit être inférieur ou égal aux valeurs suivantes : C 1600-12 17-25V / 30A, C 2600-24 34-45V / 30A, C 4000-48 68-90V/20A.

NOTE : Comme le régulateur solaire intégré au Compact est de type PWM, il n'est autorisé de brancher que des panneaux 36 ou 72 cellules (12V ou 24V respectivement). Tout autre type de panneaux nécessitera un régulateur MPPT (p.ex VarioTrack ou VarioString).

3.6.5 Câblage du contact auxiliaire

Ce contact est un contact inverseur libre de potentiel. Les courants et tensions admis pour ce contact sont de max.16A / 250VAC. La représentation du contact près des bornes correspond à l'état du contact au repos (indicateur lumineux « Contact active » (5) éteint).

3.6.6 Le branchement de la télécommande, « remote control »

La télécommande RCC-01 est livrée avec un câble de 20m pourvu de fiches de type RJ11/8. Il se connecte en tout temps (y compris lorsque l'appareil est en fonction) sur la prise correspondante (remote control) du COMPACT et de la télécommande RCC-01.

La longueur du câble de la télécommande ne doit pas excéder 40m.

3.6.7 Le branchement de la sonde de température (Temp.)

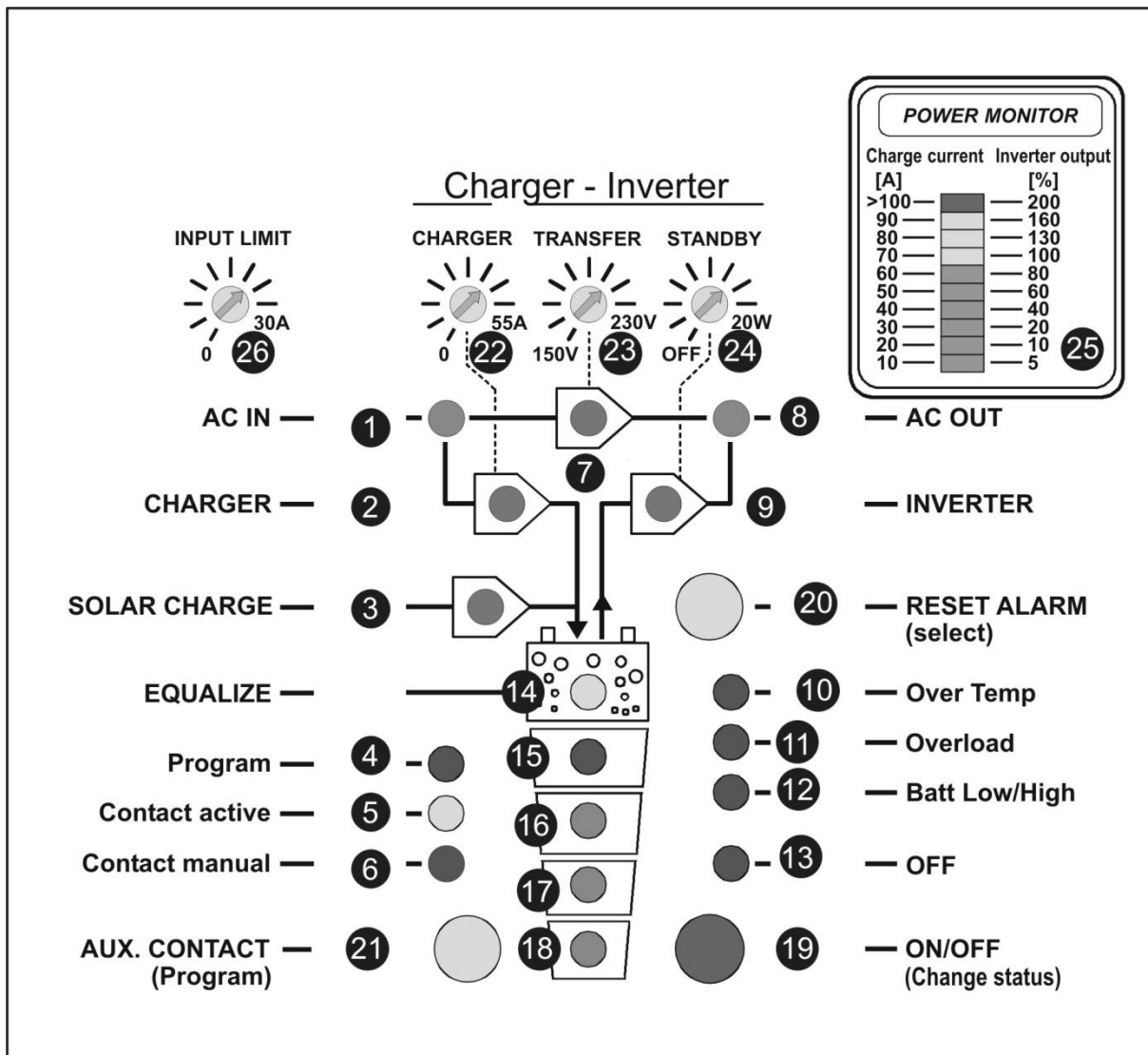
La sonde de température CT-35 est livrée avec un câble de 3 m pourvu de fiches de type RJ11/6. Il se connecte ou se déconnecte en tout temps (y compris lorsque l'appareil est en fonction) sur la prise correspondante (temp.) du COMPACT et de la sonde de température CT-35. Veillez à introduire les fiches dans les prises correspondantes jusqu'au déclic. **Le boîtier de la sonde de température peut être simplement collé sur la batterie ou directement à proximité de celle-ci.**

3.6.8 Le branchement du Power sharing réglable à distance (RPS-01)

L'option commande à distance du power sharing est livrée avec un câble de 20 m pourvu d'un connecteur de type RJ11/6 qui se connecte à la prise prévue à cet effet). La longueur du câble de la télécommande ne doit pas excéder 40m.

4 Commande

4.1 Affichage et éléments de commande



4.2 Indicateurs lumineux (LED)

LED	Inscription	LED allumée	LED clignotante
1	AC IN	Une tension AC correcte est présente sur l'entrée AC	Une tension insuffisante mais de fréquence correcte est présente sur l'entrée AC, ou le COMPACT est en cours de synchronisation
2	CHARGER	Le chargeur de batterie est en fonction	Le chargeur de batterie est verrouillé éteint (voir chap. 4.6) ou momentanément hors fonction. Dans ce dernier cas il va redémarrer dans moins de 10 secondes
3	SOLAR CHARGE	Le champ de panneaux solaires délivre du courant	
4	Program	Mode de programmation du contact auxiliaire	
5	Contact active	Le contact auxiliaire est activé	
6	Contact manual	Le contact auxiliaire est commandé manuellement	
7	TRANSFER	Le relais de transfert est activé. La tension d'entrée est présente sur la sortie	Le transfert (bypass) est inhibé (voir chap. 5.5)
8	AC OUT	Une tension AC est présente sur la sortie	L'onduleur est en mode stand-by
9	INVERTER	Le mode onduleur est activé	L'onduleur est verrouillé hors fonction (voir chap. 4.5)
10	Over Temp.	Le COMPACT s'est arrêté suite à une surchauffe	
11	Overload	Le COMPACT s'est arrêté suite à une surcharge importante	
12	Batt. Low/High	La tension de la batterie est trop basse	La tension de la batterie a dépassé au moins une fois la valeur limite haute
13	OFF	Le COMPACT est arrêté et ne peut être redémarré que par une commande manuelle	Le COMPACT est momentanément arrêté et redémarrera automatiquement dès que la condition de faute aura disparu
14	EQUALIZE	L'égalisation de la batterie est programmée pour le prochain cycle de charge	
15-18		Etat de charge de la batterie	LED (15) Phase d'absorption du cycle de charge

25	POWER MONITOR	En mode onduleur indique la valeur de la puissance de sortie en % de la puissance nominale. En mode chargeur indique le courant de charge en Ampères et l'activation du « power sharing » par la LED rouge (>100A)
----	---------------	--

4.3 Touches

19	ON/OFF	Touche de commande marche / arrêt du COMPACT (touche de programmation)
20	RESET	Arrêt de l'avertisseur sonore (touche de programmation)
21	Aux. Contact	Commande manuelle du contact auxiliaire (touche de programmation)

4.4 Bouton de réglage rotatif

22	CHARGER	Règle le courant maximum du chargeur
23	TRANSFER	Règle la tension de commutation « transfert – onduleur »
24	STANDBY	Règle le niveau de détection de la reconnaissance de charge
26	INPUT LIMIT	Doit être réglé à la valeur max. permise par la source de courant

4.5 L'onduleur

Le COMPACT est équipé d'un onduleur haute performance qui fournit une onde parfaitement sinusoïdale et de grande précision. Chaque appareil conçu pour le réseau électrique public 230V/50 Hz peut s'y brancher sans aucun problème jusqu'à concurrence de la puissance nominale de votre COMPACT. Grâce à l'étage de puissance largement surdimensionné, des charges supérieures à la puissance nominale du COMPACT sont acceptables pour de courtes durées d'utilisation. L'onduleur du COMPACT peut supporter jusqu'à 3 fois la puissance nominale permettant le démarrage de moteurs sans aucun problème.

Lorsque le COMPACT est en mode onduleur, la LED « INVERTER » (9) est allumée. Si celle-ci clignote, le mode onduleur est verrouillé éteint (interdit), La puissance utilisée par les consommateurs est affichée sur le histogramme « power monitor » (25) ainsi que sur la télécommande.

4.5.1 Le système de reconnaissance de charge « stand-by »

Afin de ne pas décharger inutilement la batterie, L'onduleur du COMPACT se met automatiquement en mode veille lorsqu'aucun consommateur n'est en fonction. Il se remet automatiquement en service dès qu'un consommateur le sollicite. La LED 8 clignote si l'onduleur est en mode « Standby », indiquant par-là également que la tension AC est présente à la sortie de manière intermittente. La valeur de la charge permettant un enclenchement automatique de l'onduleur est réglable de 1 à 20 W par le bouton rotatif (24) appelé « STANDBY ». Le réglage de ce niveau se fait de la manière suivante : déclenchez préalablement tous les consommateurs (la LED 8 doit clignoter). Raccorder ensuite le plus petit consommateur que vous souhaitez détecter, (par exemple : le chargeur de téléphone mobile), tourner **lentement** le bouton rotatif « stand-by » dans le sens antihoraire jusqu'à enclenchement de l'onduleur. Vérifier que l'onduleur s'arrête quelques secondes après déconnexion de la charge minimale. Si le mode stand-by n'est pas souhaité, tourner le bouton rotatif

dans le sens antihoraire jusqu'à la butée. L'onduleur sera dans ce cas en permanence en fonction.

4.5.2 Surcharge

Si l'onduleur est surchargé, il est automatiquement arrêté. La LED 11 «Overload » s'allume et la LED13 «OFF» clignote. Après env. 10 secondes, l'onduleur redémarre automatiquement. Si la situation se présente successivement à 4 reprises à intervalles rapprochés, il s'arrête définitivement. La LED13 s'allume alors de manière continue. L'onduleur devra dans ce cas être redémarré manuellement à l'aide du bouton ON/OFF (19) après suppression de la cause de l'arrêt.

4.5.3 Surchauffe

Si l'onduleur est continuellement surchargé durant une longue période ou que la température environnante est trop élevée, il sera automatiquement arrêté. Dans ce cas la LED 10 « Over temp.» s'allume et la LED13 «OFF» clignote, indiquant que l'onduleur redémarrera de lui-même lorsque la température sera redevenue normale. Avant que l'onduleur ne soit arrêté pour surchauffe, un signal acoustique retentit environ 1 minute avant coupure sauf si l'accroissement de la température atteint des valeurs critiques. Si le contact auxiliaire à été programmé pour réagir à une surchauffe, il sera également activé 1 minute avant que l'onduleur ne coupe, permettant ainsi le démarrage éventuel d'un groupe d'alimentation de secours et évitant toute interruption d'alimentation

4.5.4 État de la batterie

Les décharges profondes des batteries au plomb / acide entraînent une perte de capacité importante et un vieillissement prématuré des batteries. L'état des batteries est donc surveillé en permanence et l'onduleur se coupe automatiquement lorsque le seuil de sous-tension est atteint. La LED12 «L/H Batt.» s'allume et la LED13 «OFF» clignote. Dès que la tension de batterie atteint à nouveau un niveau de 12.1V / 24.2V / 48.4V (selon le modèle) l'onduleur redémarre automatiquement. Avant que l'onduleur ne soit arrêté par sous-tension, un signal acoustique retentit environ 1 minute avant coupure sauf si la tension atteint une valeur basse critique. Si le contact auxiliaire à été programmé pour réagir à une sous-tension, il sera également activé 1 minute avant que l'onduleur ne coupe permettant ainsi le démarrage éventuel d'un groupe d'alimentation de secours et évitant toute interruption d'alimentation

La sous-tension pré réglée en usine à respectivement 11.6V / 23.2V / 46.4V est valable pour la plupart des batteries courantes. Ce seuil de tension est automatiquement adapté à la charge et à la capacité de la batterie par l'algorithme de contrôle du COMPACT. **Ce seuil est comparable aux seuils de 10.8V / 21.6V / 43.2 utilisés la plupart du temps comme limite de sous-tension dans les systèmes usuels.**

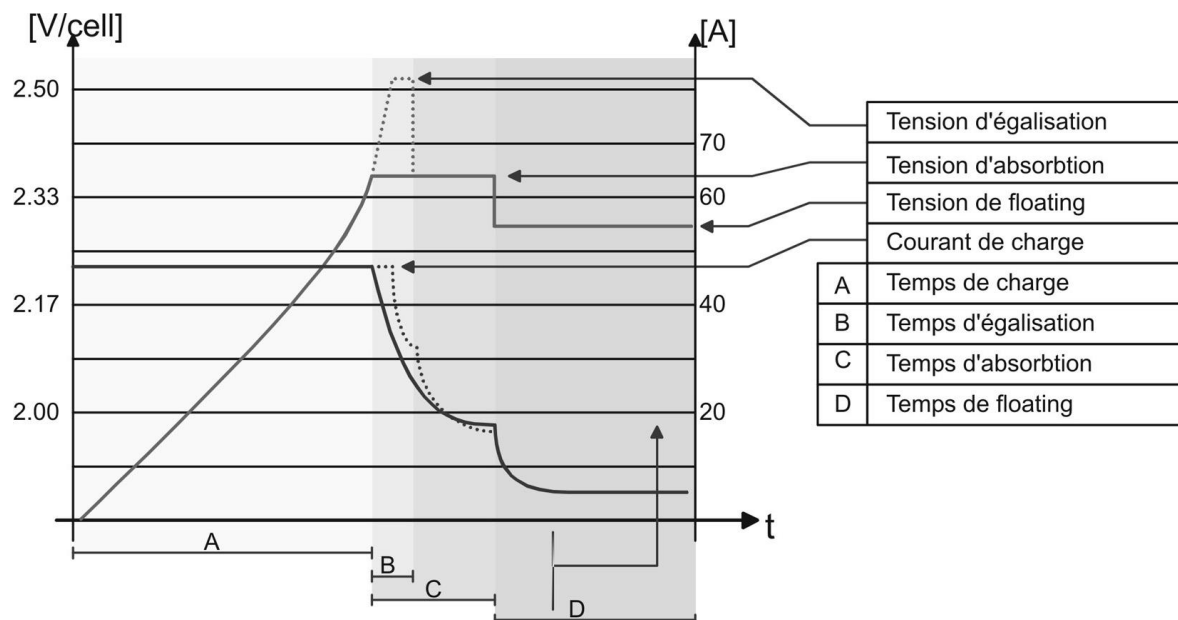
Tous les seuils de tension peuvent être programmés. Vous trouvez la description y relative dans la section programmation de ce manuel. Veuillez-vous informer auprès de votre fournisseur sur les seuils particuliers conseillés par le fabricant de batterie.

4.6 Le Chargeur de batterie

4.6.1 Cycle de charge

Le Chargeur de batterie du COMPACT est entièrement automatique et il est conçu de manière à garantir une charge optimale de la plupart des batteries plomb / acide ou plomb / gel. Dès que le relais de transfert est activé, le chargeur de batterie est mis en fonction et la LED 2 CHARGER s'allume. Le cycle de charge se déroule de manière automatique. Il commence d'abord par une charge à courant constant tel

que réglé par le bouton de réglage 22. Dès que la tension d'absorption est atteinte, le cycle passe en mode de réglage de tension pour une durée de 2 heures (programmable de 0 à 4h). A l'expiration de cette durée, le réglage de tension se fait sur une valeur inférieure (tension de maintien ou floating). La batterie peut ainsi rester connectée en permanence au chargeur de batterie qui assurera un parfait maintien de la charge. Pendant le processus de charge, les consommateurs sont alimentés par la tension présente à l'entrée « AC IN » via le relais de transfert.



4.6.2 Valeur par défaut des seuils de batterie

Sous-tension			Tension de maintien			Tension d'absorption			Tension d'égalisation			Temps d'absorption	Temps d'égalisation
12V	24V	48V	12V	24V	48V	12V	24V	48V	12V	24V	48V	12/24/48V	12/24/48V
11.6	23.2	46.4	13.5	27.0	54.0	14.4	28.8	57.6	15.6	31.2	62.4	2 h	20'

Ces valeurs peuvent être programmées différemment par la télécommande RCC-01 en option

4.6.3 Cycle d'égalisation de la batterie

Avant de programmer le COMPACT pour une égalisation de la batterie, vous devez vous renseigner chez votre commerçant si le type de batteries que vous utilisez est adapté à ce type de charge. **Des batteries gel ne peuvent en aucun cas être chargées de cette façon.**

Sur les batteries au plomb à électrolyte liquide, il est recommandé de procéder de temps en temps à une « détoxification » des plaques en appliquant durant une courte période une tension de charge supérieure. Ce processus permet, dans une certaine mesure, d'atténuer le processus naturel de sulfatation des plaques de batterie et, ainsi, de prolonger la durée de vie de la batterie. La tension d'égalisation est réglable par le client selon la table et la procédure décrite au chapitre programmation.

Si la charge d'égalisation est admise pour votre batterie, et que vous souhaitez utiliser ce

mode, l'interrupteur coulissant (E) « Equalize » situé entre les connecteurs RJ11 et les porte-fusibles du chargeur, doit être en position ON (côté câble de batterie). Lorsque ce mode est programmé, le prochain cycle se fera avec une tension d'égalisation en fin de charge et la procédure se renouvellera automatiquement tous

les 25 cycles. L'Égalisation dure 20 minutes. La LED 14 s'allumera dès le début du cycle d'égalisation et clignotera pendant la phase d'égalisation. Si seul 1 cycle d'égalisation est souhaité, l'interrupteur coulissant (E) devra être remis en position OFF après le cycle d'égalisation.

ATTENTION: pendant l'égalisation une quantité considérable de gaz est produite par les batteries. Cette opération nécessite une ventilation correcte du local de batterie. FORT DANGER D'EXPLOSION !

4.6.4 Système de répartition du courant d'entrée (Power sharing)

Afin d'utiliser au mieux les ressources disponibles sur l'entrée (dépendant de la taille du générateur ou de la puissance mise à disposition par le réseau) le COMPACT dispose d'un système appelé « power sharing » ou répartiteur de puissance.

Il s'agit d'un système qui permet de limiter le courant du chargeur - de sa valeur de consigne jusqu'à 0 - en fonction du courant utilisé en sortie. Plus le courant de sortie est grand, plus la part de courant affectée au chargeur diminue.

Ce système permet la répartition de la puissance à disposition en donnant la priorité à la sortie AC (AC out) et aux utilisateurs qui y sont raccordés. Le chargeur n'utilisera que la puissance non exploitée en sortie pour assurer la charge des batteries. Dès que le système entre en fonction, la LED 200% (rouge) du moniteur de puissance s'allume indiquant que le courant de charge est limité.

Attention : si l'utilisation de la puissance en sortie est plus grande que la valeur du courant d'entrée (26), le COMPACT ne peut pas limiter le courant, alors la génératrice est censée s'arrêter ou le disjoncteur est censé couper avant.

4.6.5 Réglage du « Input Limit »

Le courant disponible à l'entrée est déterminé par la puissance de la génératrice ou par des limites imposées par le fournisseur du courant (camping, installation de raccordement portuaire, etc.) la valeur de courant réglé sur le bouton de réglage « input limit » (26) doit être égale (ou inférieure) au courant disponible à la source.

Par exemple, si l'on dispose d'une génératrice 2 kW on réglera le bouton 26 sur 8.5A. Cette valeur est obtenue en divisant la puissance nominale disponible (2000 W) par 230 (voir tableau ci-contre). Si la connexion sur laquelle vient se raccorder le COMPACT est limitée en puissance et protégée par un fusible (par ex. 6A.) le bouton (26) sera réglé sur cette valeur.

Ce réglage peut être déporté sur une commande à distance (voir chap. 3.6.7). Dans ce cas la plus petite valeur réglée sera prise en compte par l'appareil.

Puissance génératrice	Courant (230V)
500W	2A
900W	4A
1500W	6.5A
2000W	8.5A
3000W	13A

4.6.6 Réglage du courant de charge de la batterie

Le courant de charge maximal pour la batterie doit être réglé au moyen du bouton (22) « CHARGER ». Le courant de charge de la batterie devrait être réglé à env. 10–20 % de la capacité de batterie (à C10). Pour une batterie de 200Ah il devrait être réglé entre 20 et 40A.

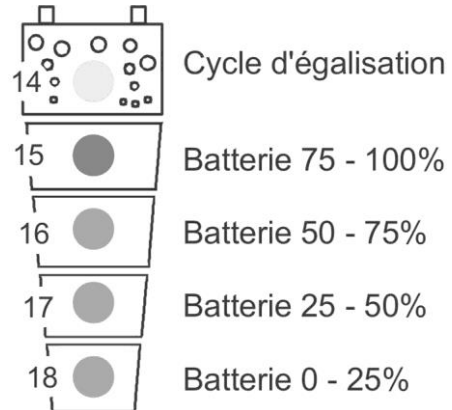
Le courant de charge est visualisé sur l'indicateur histogramme du moniteur de puissance (25) ou sur la télécommande.

4.6.7 Etat de charge de la batterie

L'état de charge de la batterie est calculé par le microprocesseur grâce à un algorithme spécialement adapté tenant compte de la tension de la batterie. L'état de charge est signalé par les LED 15 à 18 du panneau synoptique. La LED 14 indique que le cycle de charge en cours sera terminé par une égalisation de batterie en fin de charge.

Note : cet affichage est indicatif et ne saurait être interprété comme une valeur exacte de la capacité de la batterie. L'indication peut être également affectée par d'autres systèmes en parallèle sur la batterie. L'affichage peut varier dans les cas d'utilisation suivants :

- charge et décharge de la batterie avec courants excessifs
- section de câble batterie trop petite
- connexions batterie mal serrées ou corrodées
- charge de la batterie avec un chargeur externe
- décharge de la batterie avec des utilisateurs non connectés au COMPACT
- travail avec des batteries défectueuses ou sulfatées



Cela signifie que l'affichage peut, en quelques minutes durant la charge, commuter de 25% à 75 % ou durant la décharge dans la direction inverse.

Comme beaucoup des cas mentionnés plus haut se produisent fréquemment, le système de mesure du COMPACT tient compte, durant la charge, seulement des pointes de l'ondulation de la tension. Par voie de conséquence, la tension de la batterie mesurée par un voltmètre au début de la phase d'absorption apparaîtra plus basse. Lors de la baisse du courant de charge la tension atteindra les valeurs exactes.

Pour des raisons de sécurité vous devez obtenir de votre fournisseur de batterie les valeurs recommandées de courant et de tension de charge.

Les seuils de tension et les caractéristiques de la charge peuvent être modifiés par la Programmation, dont les modalités se trouvent au chap. 5.3. Une charge correcte est obligatoire pour un bon fonctionnement et une longue de vie de la batterie.

Les fonctions du chargeur de batterie sont décrites par le schéma du chap. 4.6.

4.7 Le relais de transfert

Le but du relais de transfert est de commuter automatiquement les utilisateurs de l'onduleur sur une source externe si celle-ci correspond aux critères de tension et de fréquence choisis. Si une tension alternative (courant AC du réseau ou d'une génératrice) est présente à l'entrée « AC Input » (H) la LED (1) clignote. Si la fréquence est correcte (entre 44 et 65 Hz) et que la valeur de la tension est supérieure au niveau choisi par le bouton de réglage « TRANSFER » (23), la LED « AC Input » (1) s'allume. Le relais de transfert entre en fonction, reportant la tension d'entrée sur la sortie AC Output. Les LED « TRANSFER » (7) et « AC Output » (8) sont dès lors allumés. Les consommateurs en service sont alimentés par la source présente à l'entrée. Le chargeur rentrera en service dans les secondes qui suivent. Cette commutation se fera toujours de manière automatique, sauf si le mode « transfert verrouillé » - voir chap. 5.5- est utilisé.

Le courant maximal du relais de transfert est de 16A. Ceci signifie que la puissance maximum permanente des utilisateurs en fonction sur la sortie doit être au maximum

de 3700VA (@230V). Si le chargeur de batterie est en fonction, une partie de cette puissance sera utilisée pour la charge de la batterie.

Le relais de transfert est protégé par un disjoncteur (N) de 16A. Suite à une surcharge importante, le disjoncteur thermique déclenchera et devra être réarmé manuellement.

Remarque: l'onduleur du COMPACT produit une tension purement sinusoïdale. Lorsque le relais de transfert du COMPACT est actif, la tension à la sortie du COMPACT est équivalente à celle présente à l'entrée et ne peut pas être influencée par le COMPACT !

4.7.1 Réglage de la tension de transfert

Le seuil de tension d'entrée autorisant la fonction de transfert est réglable de 150 à 230 V par le bouton de réglage « TRANSFER » (23). Il est réglé en usine en position médiane soit 200V. Cette valeur est correcte pour la plupart des applications usuelles. Une tension d'entrée (sur AC in) supérieure à cette valeur provoquera le transfert de la tension d'entrée sur la sortie (AC out) et désactivera le mode onduleur. Si la tension d'entrée est inférieure de 20 V à la tension réglée, le transfert sera désactivé en même temps que l'onduleur sera remis en fonction.

Note : Le bouton de réglage « TRANSFER » (23) ne sert en aucun cas au réglage de la tension de sortie, ni en mode chargeur, ni en mode onduleur.

4.7.2 Mode rapide (UPS) du système de transfert

Le mode « transfert rapide » est programmé lorsque le commutateur à glissière marqué « Transfer delay » est placé en position OFF.

Le but du COMPACT est de mettre à disposition des utilisateurs une alimentation AC sans coupure permettant de fournir l'utilisateur sans interruption de courant. Lorsque la tension d'entrée est inférieure à la valeur choisie par le bouton de réglage « TRANSFER » (23), l'onduleur se met immédiatement en fonction et la sortie est automatiquement commutée sur l'onduleur. La coupure due à la commutation est inférieure à 0,02 sec. Cette commutation rapide garantit un fonctionnement ininterrompu pour la plupart des utilisateurs connectés sur la sortie du COMPACT. Lorsque la tension AC est à nouveau présente sur l'entrée AC In, la commutation du relais de transfert se fait sans coupure.

4.7.3 Mode retardé du système de transfert

Le mode « transfert retardé » est programmé lorsque le commutateur à glissière marqué « Transfer delay » est placé en position ON (glissé en direction des câbles de batterie). Il peut être – dans certain cas – indésirable d'obtenir une commutation trop sensible du relais de transfert, en particulier lorsque la source de tension AC est une génératrice de faible puissance. En effet, dans ce cas, des démarrages d'appareil tels que réfrigérateurs ou aspirateurs peuvent provoquer des sous-tensions momentanées à la suite desquelles il n'est pas souhaitable ou raisonnable de réagir par le passage du COMPACT en mode « onduleur ». Quand le commutateur à glissière « Transfer delay » est en position ON (glissé en direction des câbles de batterie), le COMPACT est programmé de manière à ne pas réagir aux situations de sous-tension d'une durée inférieure à 5 secondes. Dans tous les cas, si la tension d'entrée est inférieure à 100Vac, la commutation s'effectue sans délai comme dans le mode non-retardé.

4.8 Le régulateur de charge solaire (option)

Le COMPACT est équipé en option d'un régulateur de charge 30A (20A pour le modèle C 4000-48). Les générateurs solaires peuvent être raccordés directement sur les bornes « SOLAR + / - ».

Le régulateur de charge, de type « shunt » garanti une charge parfaite des batteries par un mode (I-U-Uo-Egalisation) identique au chargeur de batterie fonctionnant sur l'entrée AC tel que décrit au chapitre 4.6. La tension d'exploitation des modules solaires doit correspondre à la tension d'exploitation respective du COMPACT.

Il est strictement interdit de raccorder toute source de courant autre que des modules solaires. Les sources de courant telle que micro turbine, aérogénérateur etc. doivent être raccordé séparément sur la batterie via leurs chargeurs respectifs.

Le régulateur de charge solaire travaille de façon automatisée et est toujours en service quel que soit le mode de fonctionnement du COMPACT. Le cycle de charge et les niveaux de charge sont identiques à ceux du chargeur. Veuillez-vous informer sur les seuils particuliers conseillés par le fabricant de batterie auprès de votre fournisseur

4.9 Le contact auxiliaire multifonction

Le COMPACT dispose d'un contact inverseur (NC-NO) libre de potentiel qui peut être librement programmé pour diverses applications. Le câblage s'effectue sur les bornes marquées « Auxiliary contact. »

**Charge maximale du contact :230Vac / 12Vdc / 24Vdc / 16A !
> 36Vdc / 3A !**

Le contact dessiné directement au-dessous des bornes (G) indique la position du contact lorsque la LED 5 « active » est éteinte.

Le bouton 21 «Auxiliary contact » permet une commande manuelle bistable de ce contact. Attention : lorsque le contact est commandé manuellement le mode programmé du contact est désactivé. La LED 6 confirme que le contact est commandé manuellement et la LED 5 indique l'état du contact.

En mode programme, le contact peut être activé en fonction de chaque état de fonctionnement du COMPACT ce qui laisse une grande liberté d'application. Des exemples ainsi que la procédure de programmation sont mentionnés au chapitre 5.4. L'application par défaut de ce contact est une fonction d'alarme. Le contact sera activé dans les situations suivantes :

- Surchauffe (LED 10 allumée)
- Surcharge (LED 11 allumée)
- Sur- ou sous-tension de batterie (LED 12 allumée ou clignotante)
- COMPACT arrêté par commande manuelle ou par faute (LED 13 allumée)

Si cette fonction n'est pas souhaitée, elle doit être modifiée par programmation selon la procédure décrite au chapitre 5.4.

4.10 La télécommande RCC-01

En option, une télécommande peut être raccordée au COMPACT via un câble de 20 mètres inclus. La longueur peut être portée à 40 m au maximum.

Tous les éléments de commande et d'affichage sont disponibles sur la télécommande à l'exception des 4 boutons de réglage de niveau (22-23-24-26).

La télécommande est prévue aussi bien pour un montage mural que pour un montage encastré. Le montage se fait à l'aide de quatre vis de 3mm,

adaptées au support (non fournie avec la télécommande). La programmation du COMPACT peut aussi se faire par la télécommande.

La puissance instantanée fournie par l'onduleur ou le courant de charge sont affichés en continu via un histogramme de 10 LED.

Dans la télécommande, une entrée de commande et un contact de d'alarme sont disponibles via un connecteur RJ11/4.

Le contact d'alarme est normalement ouvert. (max. 0.5A) il est fermé quand le COMPACT est en fonction. L'entrée de commande ON/OFF est directement en parallèle avec le bouton de commande dans la télécommande. Celui-ci doit être exclusivement raccordé à un contact libre de potentiel.

N° de commande de la télécommande (y inclus 20m de câble) : RCC-01

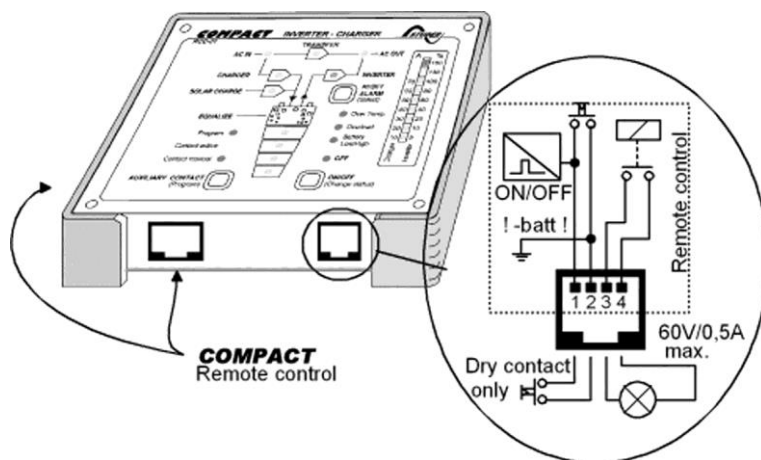
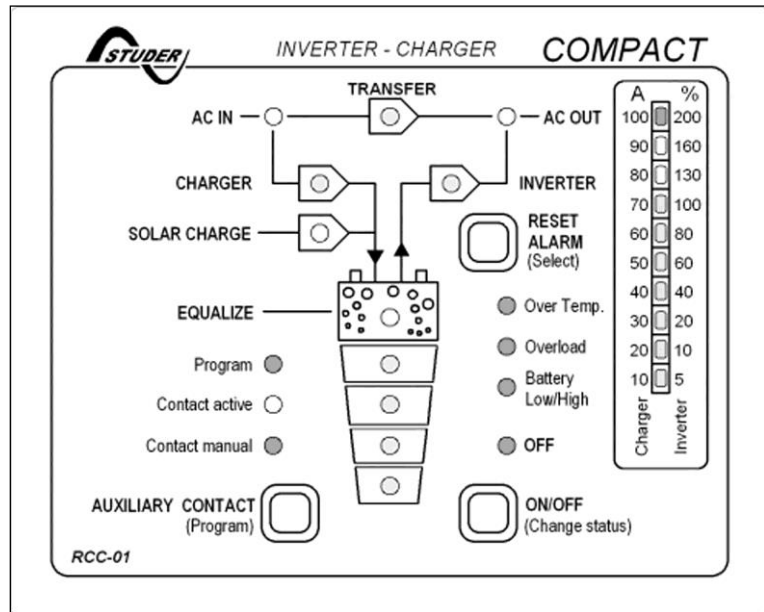
Dimension: H x L x l 111.5 x 136.5 x 25mm

4.11 La sonde de température CT-35

Les tensions d'exploitation pour les batteries au plomb varient en fonction de la température. Une sonde de température est fournie en option afin de corriger la tension de batterie en fonction de la température. La compensation de la sonde est de -3mV/°C/cellule.

N° de commande de la sonde de température (y inclus 3m de câble) : CT 35

Dimension: H x L x l // 58 x 51.5 x 22mm



4.12 La télécommande du répartiteur de courant à distance RPS-01

Si la télécommande RPS-01 est installée, le potentiomètre (26) "INPUT LIMIT" doit être réglé sur la valeur maximale. Le COMPACT prend en compte la valeur la plus basse réglée sur l'onduleur et sur la télécommande RCC-01. Le courant disponible à l'entrée du COMPACT sera déterminé par la puissance de la source (génératrice, réseau etc...). Le potentiomètre sur la RPS-01 doit être ajusté pour être inférieur ou égal à la valeur max. de la source de puissance.

Par exemple si la source est une génératrice de 2000 Watt, le potentiomètre doit être réglé

sur 8A max.. Cette valeur est obtenue en divisant 2000 Watt par 230V. Si le COMPACT est connecté à une source de puissance qui est protégée par un disjoncteur de 6A, le potentiomètre doit être réglé sur une valeur de max. 6A.

Attention : le COMPACT ne limitera pas si un appareil tire plus de courant que disponible à la source ! Cela signifie que la génératrice connectée sera surchargée ou que le disjoncteur situé avant le COMPACT se déclenchera.



5 Programmation

Le COMPACT est équipé d'un processeur Flash contenant une mémoire EEPROM, ce qui signifie que même si il est déconnecté de la batterie, les paramètres qui ont été programmés pour l'application demeureront après une nouvelle connexion à la batterie.

Il est possible de réinitialiser (RESET) le COMPACT en appuyant simultanément sur les trois touches 19/20/21 pendant au moins 2 secondes. Un bip sonore confirmera le RESET. L'onduleur s'arrête après cette procédure. Il peut être réenclenché après le bip sonore. Les paramètres programmés demeurent.

5.1 Valeurs de programmation standard

Le COMPACT est livré avec des valeurs et états de programmation par défaut, réglés en usine aux valeurs suivantes :

Contact auxiliaire : actif en cas de défaut ou d'arrêt manuel (LED 10/11/12/13).

Tension de batterie :	Sous-tension	11.6V / 23.2V / 46.4V
	Tension de maintien	13.5V / 27.0V / 54.0V
	Tension d'absorption	14.4V / 28.8V / 57.6V
	Tension d'égalisation	15.6V / 31.2V / 62.4V

Durée d'absorption : 2 heures

Durée d'égalisation : 20 minutes

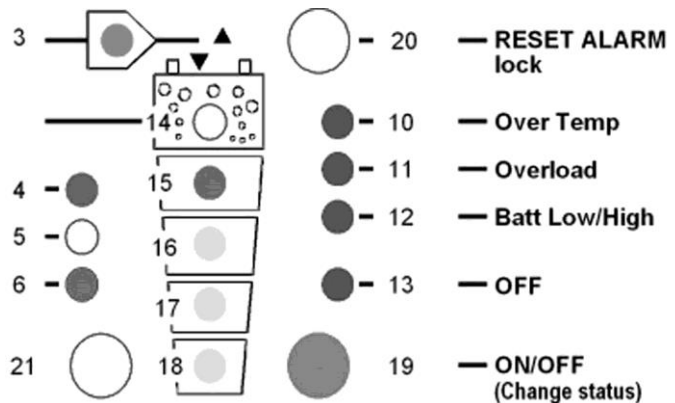
5.2 Retour aux valeurs d'usine

Pour revenir aux valeurs et états de programmation réglés par défaut en usine, appuyer simultanément sur les touches 20/21 pendant au moins deux secondes. Un bip sonore confirmera le retour aux valeurs par défaut. L'onduleur s'arrête après cette procédure. Il peut être réenclenché après le bip sonore.

5.3 Tensions de batterie et temps d'absorption

5.3.1 Procédure de programmation

Appuyer simultanément sur les touches 19 et 21 pendant plus de 2 sec. Vous entrez ainsi dans le mode de programmation des paramètres. Les 5 LED d'indications de l'état de charge de la batterie (14/15/16/17/18) vous indiquent alors la valeur de réglage actuelle de chaque paramètre, selon la première colonne du tableau ci-dessous. Les valeurs par défaut (valeurs d'usine) sont indiquées dans ce tableau en caractères gras.



Les quatre LED rouges (10/11/12/13) vous indiquent quel est le paramètre concerné soit :

LED 13 (ON/OFF) : Seuil de sous-tension de batterie

LED 12 (Batt Low/high) : Tension de maintien

LED 11 (Overload): Tension d'absorption

LED 10 (Overtemp) : Tension d'égalisation

LED 10/11/12/13 (ensemble) : Durée d'absorption

Passer du réglage d'un paramètre à l'autre en appuyant sur la touche 20 « RESET ALARM (select) ». Pour chaque paramètre, l'utilisateur dispose de 5 valeurs de réglage selon la table ci-dessous. Le choix de cette valeur se fait par la touche « ON/OFF (Change status) ». La LED clignotante indique la tension (ou le temps) réglé.

Si aucun bouton n'est pressé pendant 30 secondes, les valeurs réglées sont stockées automatiquement et le COMPACT retourne en condition d'exploitation normale.

Les niveaux de tension et les durées changés par la programmation ne deviennent actifs que lors du prochain cycle de charge !

Des niveaux de tension incorrects et ne correspondant pas au type de batteries utilisé peuvent nuire gravement à la durée de vie de celles-ci.

Renseignez-vous sur les valeurs des différents niveaux spécifiquement adaptés à votre batterie auprès de votre fournisseur.

5.3.2 Tableau des niveaux, plage de tension et temps

Tous les niveaux de tension intervenant dans la charge et la maintenance de la batterie sont réglables selon le tableau ci-dessous.

LED	Sous-tension			Tension de maintien			Tension d'absorption			Tension d'égalisation			Temps d'absorption	Temps d'égalisation
	LED 13			LED 12			LED 11			LED 10			LED 10/11/12/13	LED 10/11
	12	24	48	12	24	48	12	24	48	12	24	48	12/24/48	12/24/48
14	12.0	24.0	48.0	13.7	27.4	54.8	16.2	32.4	64.8	16.2	32.4	64.8	4h	3h
15	11.8	23.6	47.2	13.6	27.2	54.4	15.6	31.2	62.4	15.9	31.8	63.6	3h	2h
16	11.6	23.2	46.4	13.5	27.0	54.0	15	30	60	15.6	31.2	62.4	2h	1h
17	11.4	22.8	45.6	13.4	26.8	53.6	14.4	28.8	57.6	15.3	30.6	61.2	1h	40'
18	11.2	22.4	44.8	13.3	26.6	53.2	14.2	28.4	56.8	15	30	60	0 – 1'	20'

Les chiffres en gras sont les valeurs par défaut

5.4 Contact auxiliaire

5.4.1 Principe

Le contact auxiliaire peut être programmé en fonction de chaque état de l'appareil signalé sur le synoptique. Une ou plusieurs conditions d'activation du contact sont possibles. Le contact sera activé dès que l'une de ces conditions sera atteinte (fonction logique OU).

5.4.2 Programmation du contact auxiliaire

Le COMPACT est programmé par défaut avec quatre états conditionnant l'activation du contact, soit :

- Le Bouton Poussoir 21 (Program) est pressé pendant au minimum 2 secondes. La LED 4 « Program » est allumée, indiquant ainsi que le COMPACT est en mode programmation.
- Une LED clignotante montre les valeurs programmées du contact auxiliaire (LED 10/11/12/13, valeurs par défaut).
- Avec le Bouton Poussoir 20 (Select), choisir la valeur à laquelle il est souhaité que le contact soit activé.
- Avec le Bouton Poussoir 19 (Change status) confirmer ou changer la valeur de cette condition.
- Si cela est souhaité, avec le Bouton Poussoir 20 (Select) choisir une autre valeur à laquelle le contact sera activé.
- Avec le Bouton Poussoir 19 (Change status) confirmer ou changer la valeur de cette condition.
- Si durant 30 secondes aucun bouton n'est pressé, alors les valeurs établies sont automatiquement stockées et le COMPACT revient aux conditions normales de fonctionnement.

5.4.3 Démarrage automatique d'une génératrice de secours

Si l'état de charge de la batterie (LED 15 à 18) ou les états d'alarme (LED 10 à 12) sont utilisés comme condition d'activation du relais, le contact auxiliaire peut être utilisé pour commander le démarrage automatique d'une génératrice de secours.

En fonction de la capacité de la batterie

Afin de programmer le contact auxiliaire pour un démarrage à 25% et un arrêt à 75% de l'état de charge de la batterie, voici la procédure à suivre :

Presser la touche AUX. CONTACT (Program) 21 pendant au moins 2 secondes. Puis les états programmés s'affichent en clignotant (programmation d'usine LED 10/11/12/13). Comme ces états ne sont pas souhaitables pour le démarrage de la génératrice, ils doivent être désactivés.

Avec la touche (select) 20, sélectionner les LED à désactiver (les LED activés clignotent) et les désactiver avec la touche 19 Change Status. Sélectionner les autres LED à éteindre avec la touche (select) 20 et les éteindre avec la touche 19 Change Status jusqu'à ce que tous les états à désactiver le soient.

Puis sélectionner la LED 17 avec la touche (select) 20 et activer le contact avec la touche 19 Change Status. La génératrice démarrera lorsque la LED 17 s'éteindra.

Puis sélectionner la LED 16 avec la touche (select) 20 et activer le contact avec la touche 19 Change Status. La génératrice s'arrêtera lorsque la LED 16 s'allumera.

Si aucune touche n'est activée pendant 30 secondes, les valeurs normales de fonctionnement s'affichent automatiquement à nouveau.

En guise de contrôle la touche Program peut être pressée au moins 2 secondes. Les valeurs programmées s'affichent en clignotant.

Selon la puissance de sortie de l'onduleur (indisponible avec certaines exéc. spéc.)

L'activation du contact auxiliaire peut aussi être programmée selon 2 états de la puissance de sortie de l'onduleur : plus de 80% de la puissance pendant 3 minutes et/ou 100% de la puissance pendant 30 secondes.

Le contact auxiliaire restera actif pendant 30 minutes après que le courant d'entrée soit revenu à une valeur inférieure à la limite définie par l'« Input Limit » (voir chap. 4.6.3 du manuel), soit 30 minutes après l'extinction de la LED « 200% » (sur l'histogramme « Power Monitor »).

Cette programmation se fait selon le chap. 5.3.2 du manuel et en activant le contact sur la LED 100% du « Power Monitor ».

5.4.4 Délestage d'utilisateurs de seconde priorité

Le contact auxiliaire peut également être utilisé comme délestage des applications non prioritaires lorsque l'état de charge de la batterie est inférieur à un certain seuil. Dans ce cas, seul un des 4 états de charge de la batterie, ou la fonction « TRANSFER », sera programmé comme critère de délestage. Les utilisateurs de seconde priorité seront alimentés uniquement lorsque la génératrice est en fonction ou que la batterie a un niveau suffisant.

5.4.5 Commande manuelle du contact auxiliaire

Le contact auxiliaire peut en tout temps, être actionné avec le bouton «AUX. CONTACT » (21). La LED (6) «Contact manuel » s'allume, vous informant que la commande du contact est manuelle et que le programme pilotant le contact est temporairement inopérant. La LED « contact active » s'allume à la première impulsion sur la touche (21). Si le contact était déjà actif (par programme) il va rester activé avec la première impulsion. A l'impulsion suivante sur la touche (21) le contact auxiliaire est désactivé (LED (5) éteinte). À la troisième impulsion le contact auxiliaire est à nouveau commandé par le programme. La LED « contact manuel » s'éteint.

5.5 Verrouillage des modes de fonctionnement

Les fonctions Chargeur, Onduleur, et Transfert peuvent être verrouillées. Ces verrouillages s'utilisent dans certaines situations particulières pour bloquer une des fonctions du COMPACT. L'accès aux différents verrouillages se fait par la pression simultanée des touches 19 et 20 durant plus de deux secondes.




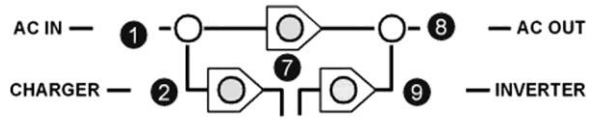
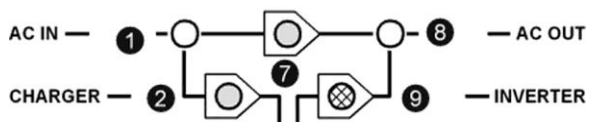
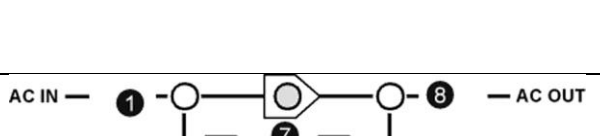
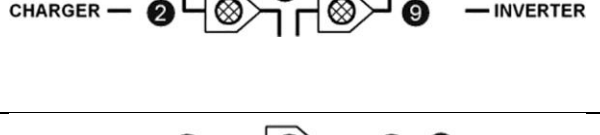
En mode programmation du verrouillage, l'affichage indique uniquement le mode de verrouillage sélectionné à l'aide des 3 diodes lumineuses 2, 7 et 9.

Pour changer le type de verrouillage, appuyer à nouveau brièvement sur la touche 20 jusqu'à l'obtention du mode souhaité.

La sortie du mode programmation se fait automatiquement après 10 secondes et le mode choisi est alors mémorisé.

Une fois un verrouillage activé, les diodes lumineuses continuent à clignoter lorsque le mode de programmation est quitté, pour indiquer à l'utilisateur un mode de fonctionnement verrouillé.

5.5.1 Affichage des différents modes

	 Indique une Diode lumineuse éteinte  Indique une Diode lumineuse clignotante  Indique une Diode lumineuse allumée
	Fonction du COMPACT STANDARD aucun mode verrouillé.
	La fonction onduleur est interdite. En cas de coupure de courant sur l'entrée, l'onduleur ne s'enclenchera pas. Seul le chargeur fonctionne (évite de décharger les batteries en cas de coupure prolongée).
	Onduleur et Chargeur verrouillés éteints. L'onduleur ne fonctionne pas, le chargeur ne fonctionne pas, seul le relais de transfert est activé si la tension à l'entrée est correcte.
	Chargeur verrouillé éteint. En cas de présence de tension à l'entrée, le relais de transfert n'est pas activé. Seul l'onduleur fonctionne. (alimentation stable sans microcoupures ou perturbations).

6 Entretien de l'installation

À l'exception du contrôle périodique (voir chapitre 3.3.1) des branchements, le COMPACT ne nécessite pas d'entretien particulier.

7 Déclaration UE de conformité

Les onduleurs et les accessoires décrits dans le présent manuel sont conformes aux normes suivantes:

Directive Basse Tension 2014/35/UE - EN 50178:1997

Directive de Compatibilité Electromagnétique (CEM) 2014/30/UE
- EN 62040-2:2006 - EN 61000-3-2:2014 - EN 61000-3-12:2011

CH -1950 Sion, mai 2016

STUDER INNOTEK SA
(R. Studer)



8 Données techniques

Type	C 1600-12	C 2600-24	C 4000-48
Onduleur			
Tension nominale de la batterie	12 Vdc	24 Vdc	48 Vdc
Plage de tension d'entrée	9.5 - 16 Vdc	19 - 32 Vdc	38 - 60 Vdc
Puissance continue @ 25°C	1300 VA	2300 VA	3500 VA
Puissance 30 min. @ 25°C	1600 VA	2600 VA	4000 VA
Puissance 5 sec. @ 25°C	3 x Pnom		
Puissance maximale	Jusqu'au court circuit		
Charge asymétrique	Jusqu'à Pcont.		
Détection de charge (stand-by)	1 à 25 W		
Cos φ	0.1 - 1		
Rendement max.	94 %	95 %	
Puissance à vide OFF/Stand-by/ON	0.5 / 0.6 / 6	0.8 / 0.9 / 9	1.2 / 1.4 / 12
Tension de sortie	230 Vac (± 5 %) (XPC disponibles aussi en 120 Vac)		
Fréquence de sortie	50 Hz ± 0.05 % (contrôlée par quartz)		
Distorsion harmonique	< 2 %		
Protection de surcharge et de court-circuit	Déconnexion automatique puis 3 essais de démarrage		
Protection de surchauffe	Alarme acoustique avant coupure et redémarrage autom.		
Chargeur de batterie (4 étages) I-U-Uo-Égalisation (chaque 25 cycles)			
Courant de charge réglable	0 - 55 Adc		0 - 50 Adc
Répartiteur de courant d'entrée	Non disponible		
Tension maximum d'entrée	265 Vac		
Plage de tension d'entrée AC [Vac]	Niveau de détection réglable de 150 à 230 Vac		
Fréquence d'entrée admissible	45 - 65 Hz		
Correction du facteur de puissance (PFC)	EN 61000-3-2		
Contrôle de la batterie (seuils et durées modifiables par l'utilisateur)			
Durée d'absorption	0 - 4 h		
Tension d'absorption*	14.4 Vdc	28.8 Vdc	57.6 Vdc
Tension de maintien*	13.6 Vdc	27.2 Vdc	54.4 Vdc
Durée d'égalisation*	0 - 4 h		
Tension d'égalisation*	15.6 Vdc	31.2 Vdc	62.4 Vdc
Protection contre la décharge*	10.8 Vdc	21.6 Vdc	43.2 Vdc
Compensation de la température (CT-35)	-3 mV / °C / cellule		
Données générales			
Contact multifonctionnel programmable	16 A - 250 Vac (libre de potentiel 3 points)		
Courant max. du relais de transfert	16 Aac		
Temps de com. du relais de transfert	< 40 ms		
Poids	16 kg	17.1 kg	29.4 kg
Dimensions h/l/L [mm]	124 / 215 / 480		124 / 215 / 670
Indice de protection	IP20 (IP22 avec capot C-IP22)		
Certificat ECE-R 10 (E24)	•	•	Non disponible
Déclaration UE de conformité	Directive Basse Tension 2014/35/UE - EN 50178:1997 Directive de Compatibilité Electromagnétique (CEM) 2014/30/UE - EN 62040-2:2006 - EN 61000-3-2:2014 - EN 61000-3-12:2011		
Plage de température de travail	-20 à 55 °C		
Humidité relative de fonctionnement	95 % sans condensation		
Ventilation	Dès 45 °C		
Niveau acoustique	< 40 dB / < 45 dB (sans/avec ventilation)		
Garantie	5 ans		
Certification ISO	9001:2008 / 14001:2004		
Option régulateur de charge solaire (4 étages)			
Tension max. du générateur PV (Uoc)	25 Vdc	45 Vdc	90 Vdc
Courant max. du générateur PV (Isc)	30 Adc	30 Adc	20 Adc
Courbe de charge	I-U-Uo-Égalisation (chaque 25 cycles)		
Accessoires			
Télécommande RCC-01	•		
Sonde de température CT-35	•		
Module de relais pour Solsafe ARM-01	•		
Capot de protection CFC-01 et C-IP22	•		

Sous réserve de modifications

